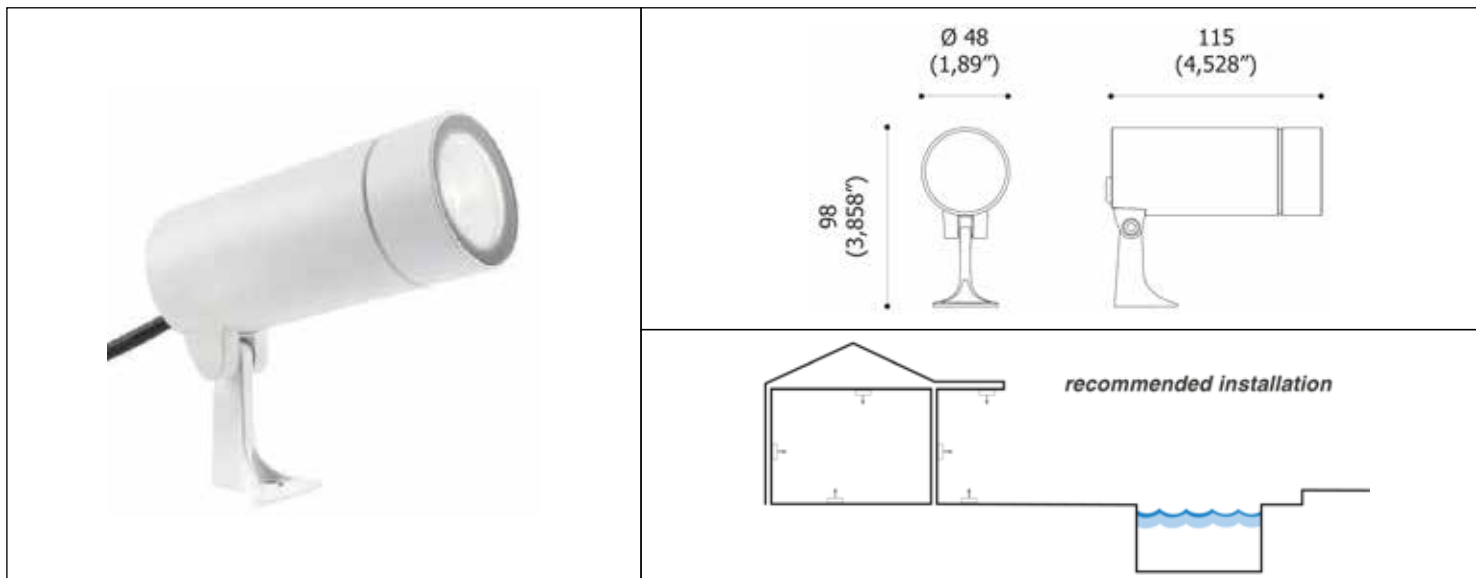


AZIMUT 48 Monochromatic

DATA-SHEET



PRODUCT DESCRIPTION:

Professional compact floodlights for direct and indirect lighting suitable for indoor and outdoor installations.
 Body Anticorodal aluminium alloy EN AW-6060 and tempered transparent flat glass.
 UV resistance of all materials.

TECHNICALS FEATURES:

Materials	Anticorodal aluminium alloy EN AW-6060 ; Stainless steel inox AISI 316L ; tempered transparent flat glass
Front Finishes	White sablé ; Black sablé ; Copper ; Red durmast ; Light durmast
Input rated Voltage	110-240 Vac mains voltage
Power	9 W ; 3 W*
Light Source	High Power LED, Power LED* LM 80 COMPLIANT
Color Temperature	3000K ; 4000K
Ra	> 80
Chromatic Selection	Mac-Adam 3-step
Lifetime	> 50000 h (TM21 L80 B10 @50000h)
Optics	spot beam 4° ; narrow beam 10° ; medium beam 30°
Tc metal body	< 90 °C
Ta operating temperature	- 30 ÷ 50 °C
Ts surface temperature	≤ 65 °C
Functions	On/Off
Cable	Cable H05RN-F 3G0,75 3x0,75 mm ² (Brown, Blue, Yellow/green) Ø 7 mm L. 1m
Weigth	390 g
Installations	Surface (wall, floor, ceiling)
Norms	EN60598-1 ; EN60598-2 and its parts ; EN61347-1 and its parts; EN55015 ; EN61000-3 and its parts ; EN61547

(*spot beam version)



NOTE:

Photometric data available at www.aldabra.it

AZIMUT 48 Monochromatic DATA-SHEET

GENERAL FEATURES:

	Power (W)	Power Supply
AZI.01.XXXXX.X	9	110-240 Vac mains voltage
AZI.01.XXXXX.X	3 (spot beam version)	110-240 Vac mains voltage

OPTICAL FEATURES:

AZI.XX. N XXXX.X	Spot beam 4°
AZI.XX. M XXXX.X	Narrow beam 10°
AZI.XX. F XXXX.X	Medium beam 30°

LED FEATURES:

	High Power LED/Power LED	Lm*	Ra	Chromatic selection
AZI.XX.X 30 XX.X	Warm white 3000K		>80	MacAdam 3-step
AZI.XX.X 40 XX.X	Neutral white 4000K		>80	MacAdam 3-step

*delivered luminous flux

FINISHES FEATURES:

AZI.XX.XXX W2 .X	White sablé
AZI.XX.XXX B2 .X	Black sablé
AZI.XX.XXX M1 .X	Copper
AZI.XX.XXX C1 .X	Red durmast
AZI.XX.XXX C2 .X	Light durmast

GENERAL INFORMATIONS:

Kindly note that atmospheric agents (such as lightnings, etc) , electrostatics charges or disturbances on the installation not caused by Aldabra lighting fixtures and Led drivers indicated by Aldabra itself, may cause damages on the fixtures. It is necessary that the electrical installation where the LED lighting fittings and their power supply units and control gears are installed must be equipped with proper devices for the protection and suppression of transient phenomena (SPD, isolation transformer, etc...). Such devices must be coordinated with the other protections of the installation; on this theme, it's necessary to refer to the electrical installations norms which are in force in each country.

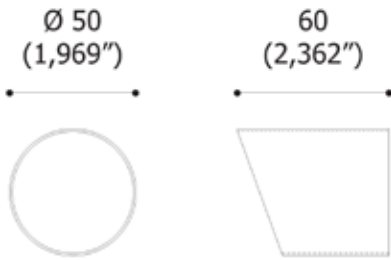
AZIMUT 48 Monochromatic

DATA-SHEET

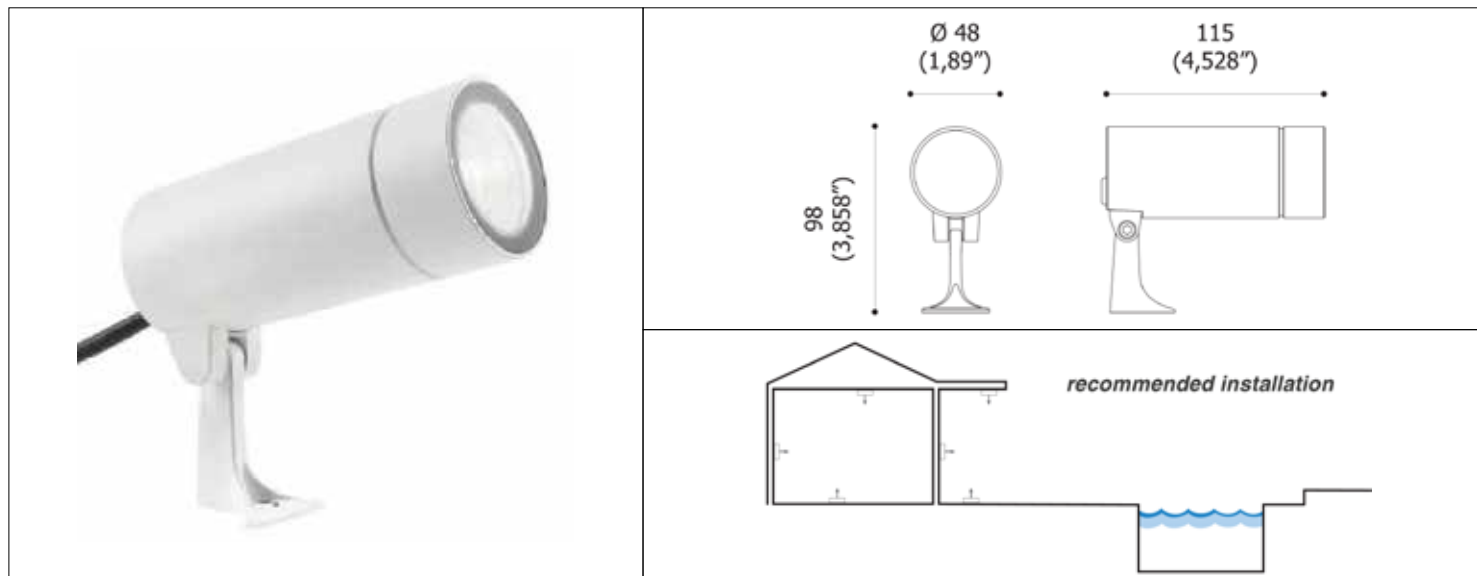
ACCESSORIES:

ACC.0269.0

black anodized aluminium glare cowl for Azimut 48



AZIMUT 48 Monochromatic U.S. type DATA-SHEET



PRODUCT DESCRIPTION:

Professional compact floodlights for direct and indirect lighting suitable for indoor and outdoor installations.
Body Anticorodal aluminium alloy EN AW-6060 and tempered transparent flat glass.
UV resistance of all materials.

TECHNICALS FEATURES:

Materials	Anticorodal aluminium alloy EN AW-6060 ; Stainless steel inox AISI 316L ; tempered transparent flat glass
Front Finishes	White sablé ; Black sablé ; Copper ; Red durmast ; Light durmast
Input rated Voltage	120-240 Vac , 50/60 Hz (nominal Voltage) ; 110-240 Vac , 50/60 Hz (Voltage range)
Power	9 W ; 3 W*
Light Source	High Power LED, Power LED* 118-130 lm/W LM 80 COMPLIANT
Color Temperature	3000K ; 4000K
Ra	> 80
Chromatic Selection	Mac-Adam 3-step
Lifetime	> 50000 h (TM21 L80 B10 @50000h)
Optics	spot beam 4° ; narrow beam 10° ; medium beam 30°
Tc metal body	< 90 °C (194 °F)
Ta operating temperature	- 30 ÷ 50 °C (-22 ÷ 122 °F)
Ts surface temperature	≤ 65 °C (149 °F)
Functions	On/Off
Cable	Cable PVC/PVC SJTW UL CSA T23183 3XAWG18 White, Black, Green L. 3,28 ft
Weigth	390 g (13,75 oz)
Installations	Surface (wall, floor, ceiling)
Norms	Under certification following : UL 1598 ; CSA C22.2 No. 250

(*spot beam version)



NOTE:

Photometric data available at www.aldabra.it

AZIMUT 48 Monochromatic U.S. type DATA-SHEET

GENERAL FEATURES:

	Power (W)	Power Supply
AZI.04.XXXXX.X	9	120-240 Vac mains voltage
AZI.04.XXXXX.X	3 (spot beam version)	120-240 Vac mains voltage

OPTICAL FEATURES:

AZI.XX.NXXXX.X	Spot beam 4°
AZI.XX.MXXXX.X	Narrow beam 10°
AZI.XX.FXXXX.X	Medium beam 30°

LIGHT FEATURES:

	High Power LED/Power LED	Lm*	Ra	Chromatic selection
AZI.XX.X30XX.X	Warm white 3000K		>80	MacAdam 3-step
AZI.XX.X40XX.X	Neutral white 4000K		>80	MacAdam 3-step

*delivered luminous flux (narrow beam)

FINISHES FEATURES:

AZI.XX.XXXW2.X	White sablé
AZI.XX.XXXB2.X	Black sablé
AZI.XX.XXXM1.X	Copper
AZI.XX.XXXC1.X	Red durmast
AZI.XX.XXXC2.X	Light durmast

GENERAL INFORMATIONS:

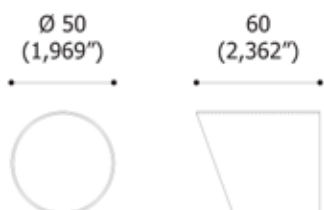
Kindly note that atmospheric agents (such as lightnings, etc) , electrostatics charges or disturbances on the installation not caused by Aldabra lighting fixtures and Led drivers indicated by Aldabra itself, may cause damages on the fixtures. It is necessary that the electrical installation where the LED lighting fittings and their power supply units and control gears are installed must be equipped with proper devices for the protection and suppression of transient phenomena (SPD, isolation transformer, etc...). Such devices must be coordinated with the other protections of the installation; on this theme, it's necessary to refer to the electrical installations norms which are in force in each country.

AZIMUT 48 Monochromatic U.S. type DATA-SHEET

ACCESSORIES:

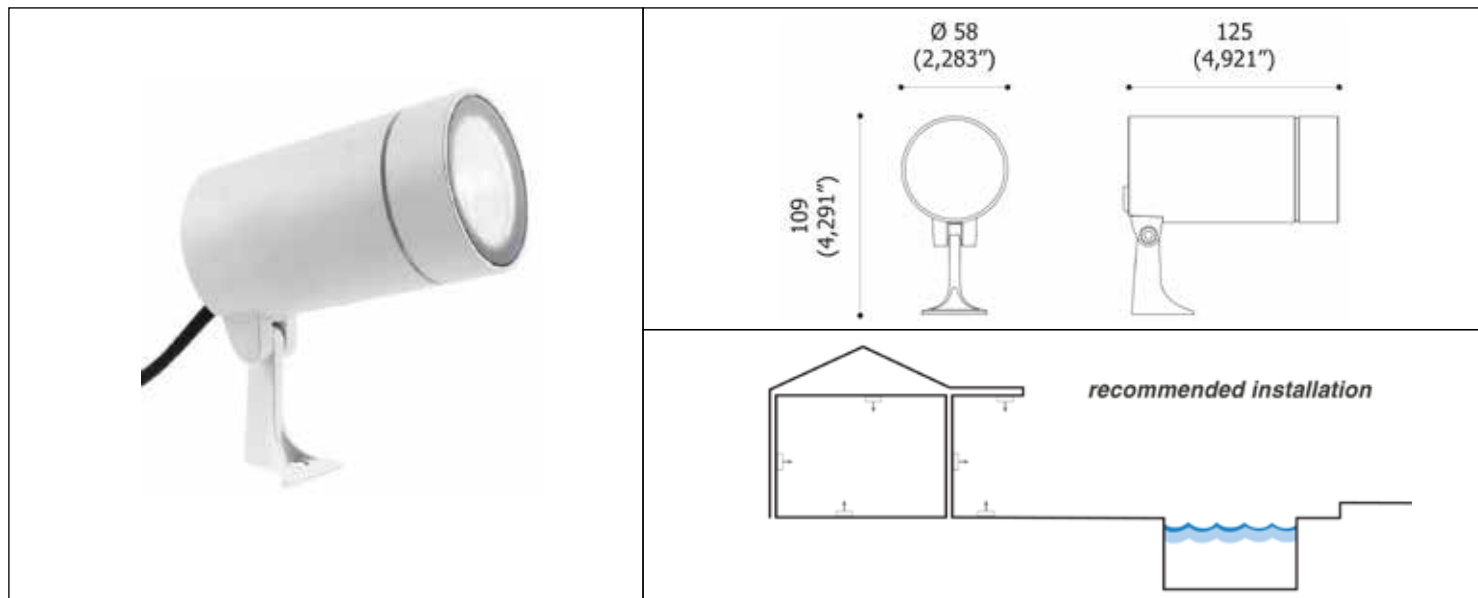
ACC.0269.0

black anodized aluminium glare cowl for Azimut 48



AZIMUT 58 Monochromatic

DATA-SHEET



PRODUCT DESCRIPTION:

Professional compact floodlights for direct and indirect lighting suitable for indoor and outdoor installations.
Body Anticorodal aluminium alloy EN AW-6060 and tempered transparent flat glass.
UV resistance of all materials.

TECHNICALS FEATURES:

Materials	Anticorodal aluminium alloy EN AW-6060 ; Stainless steel inox AISI 316L ; tempered transparent flat glass
Front Finishes	White sablé ; Black sablé ; Copper ; Red durmast ; Light durmast
Input rated Voltage	110-240 Vac mains voltage
Power	12 W
Light Source	COB LED LM 80 COMPLIANT
Color Temperature	3000K ; 4000K
Ra	> 80
Chromatic Selection	Mac-Adam 3-step
Lifetime	> 50000 h (TM21 L80 B10 @50000h)
Optics	narrow beam 15° ; medium beam 25° ; wide beam 45°
Tc metal body	< 90 °C
Ta operating temperature	- 30 ÷ 50 °C
Ts surface temperature	≤ 65 °C
Functions	On/Off
Cable	Cable H05RN-F 3G0,75 3x0,75 mm ² (Brown, Blue, Yellow/green) Ø 7 mm L. 1m
Weigth	490 g
Installations	Surface (wall, floor, ceiling)
Norms	EN60598-1 ; EN60598-2 and its parts ; EN61347-1 and its parts; EN55015 ; EN61000-3 and its parts ; EN61547



NOTE:

Photometric data available at www.aldabra.it

AZIMUT 58 Monochromatic

DATA-SHEET

GENERAL FEATURES:

	Power (W)	Power Supply
AZI.02.XXXXX.X	12	110-240 Vac mains voltage

OPTICAL FEATURES:

AZI.XX. M XXXX.X	Narrow beam 15°
AZI.XX. F XXXX.X	Medium beam 25°
AZI.XX. W XXXX.X	Wide beam 45°

LED FEATURES:

	COB LED	Lm*	Ra	Chromatic selection
AZI.XX.X 30 XX.X	Warm white 3000K		>80	MacAdam 3-step
AZI.XX.X 40 XX.X	Neutral white 4000K		>80	MacAdam 3-step

*delivered luminous flux

FINISHES FEATURES:

AZI.XX.XXX W2 .X	White sablé
AZI.XX.XXX B2 .X	Black sablé
AZI.XX.XXX M1 .X	Copper
AZI.XX.XXX C1 .X	Red durmast
AZI.XX.XXX C2 .X	Light durmast

GENERAL INFORMATIONS:

Kindly note that atmospheric agents (such as lightnings, etc) , electrostatics charges or disturbances on the installation not caused by Aldabra lighting fixtures and Led drivers indicated by Aldabra itself, may cause damages on the fixtures. It is necessary that the electrical installation where the LED lighting fittings and their power supply units and control gears are installed must be equipped with proper devices for the protection and suppression of transient phenomena (SPD, isolation transformer, etc...). Such devices must be coordinated with the other protections of the installation; on this theme, it's necessary to refer to the electrical installations norms which are in force in each country.

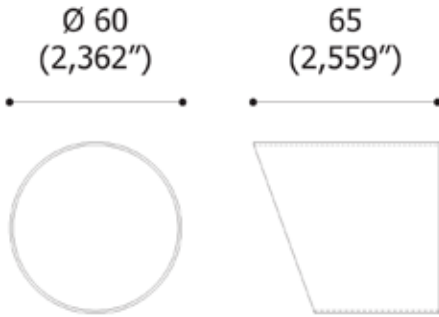
AZIMUT 58 Monochromatic

DATA-SHEET

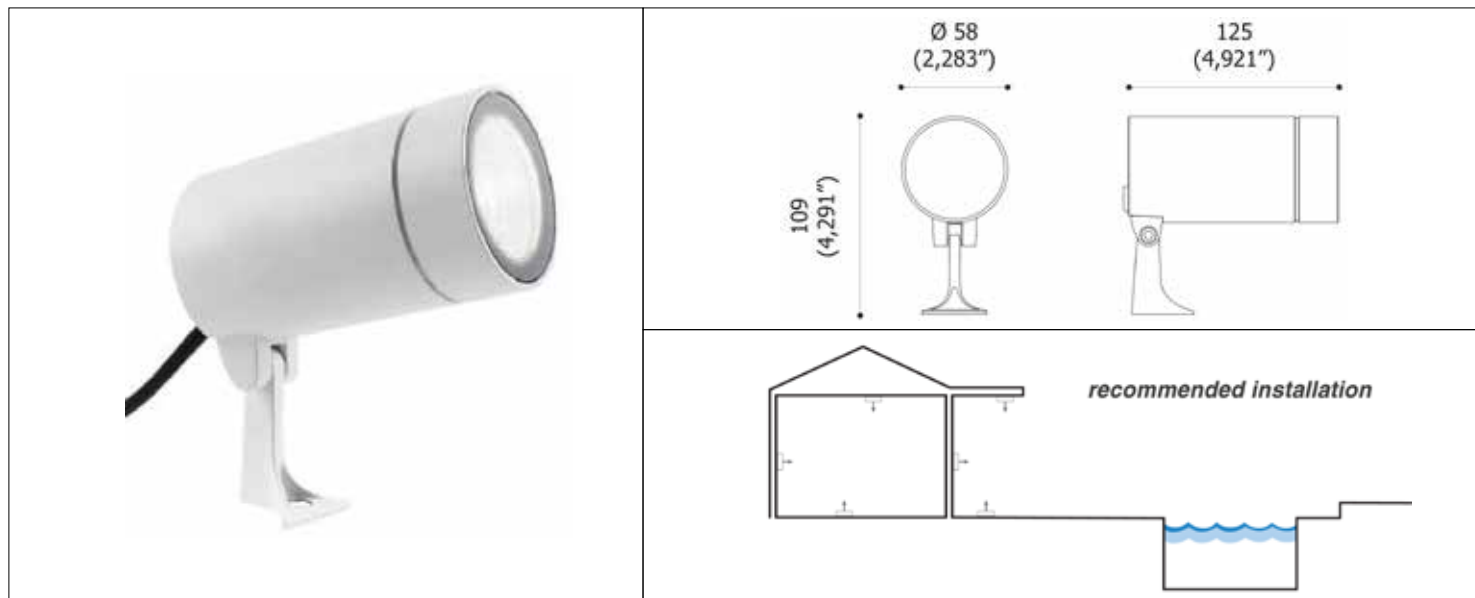
ACCESSORIES:

ACC.0270.0

black anodized aluminium glare cowl for Azimut 58



AZIMUT 58 Monochromatic U.S. type DATA-SHEET



PRODUCT DESCRIPTION:

Professional compact floodlights for direct and indirect lighting suitable for indoor and outdoor installations.
Body Anticorodal aluminium alloy EN AW-6060 and tempered transparent flat glass.
UV resistance of all materials.

TECHNICALS FEATURES:

Materials	Anticorodal aluminium alloy EN AW-6060 ; Stainless steel inox AISI 316L ; tempered transparent flat glass
Front Finishes	White sablé ; Black sablé ; Copper ; Red durmast ; Light durmast
Input rated Voltage	120-277 Vac , 50/60 Hz (nominal Voltage) ; 110-277 Vac , 50/60 Hz (Voltage range)
Power	12 W
Light Source	COB LED 110-145 lm/W LM 80 COMPLIANT
Color Temperature	3000K ; 4000K
Ra	> 80
Chromatic Selection	Mac-Adam 3-step
Lifetime	> 50000 h (TM21 L80 B10 @50000h)
Optics	narrow beam 15° ; medium beam 25° ; wide beam 45°
Tc metal body	< 90 °C (194 °F)
Ta operating temperature	- 30 ÷ 50 °C (-22 ÷ 122 °F)
Ts surface temperature	≤ 65 °C (149 °F)
Functions	On/Off
Cable	Cable PVC/PVC SJTW UL CSA T23183 3XAWG18 White, Black, Green L. 3,28 ft
Weigth	490 g (17,28 oz)
Installations	Surface (wall, floor, ceiling)
Norms	Under certification following : UL 1598 ; CSA C22.2 No. 250



NOTE:

Photometric data available at www.aldabra.it

AZIMUT 58 Monochromatic U.S. type DATA-SHEET

GENERAL FEATURES:

	Power (W)	Power Supply
AZI.05.XXXXX.X	12	120-277 Vac mains voltage

OPTICAL FEATURES:

AZI.XX.MXXXX.X	Narrow beam 15°
AZI.XX.FXXXX.X	Medium beam 25°
AZI.XX.WXXXX.X	Wide beam 45°

LIGHT FEATURES:

	COB LED	Lm*	Ra	Chromatic selection
AZI.XX.X30XX.X	Warm white 3000K		>80	MacAdam 3-step
AZI.XX.X40XX.X	Neutral white 4000K		>80	MacAdam 3-step

*delivered luminous flux (narrow beam)

FINISHES FEATURES:

AZI.XX.XXXW2.X	White sablé
AZI.XX.XXXB2.X	Black sablé
AZI.XX.XXXM1.X	Copper
AZI.XX.XXXC1.X	Red durmast
AZI.XX.XXXC2.X	Light durmast

GENERAL INFORMATIONS:

Kindly note that atmospheric agents (such as lightnings, etc) , electrostatics charges or disturbances on the installation not caused by Aldabra lighting fixtures and Led drivers indicated by Aldabra itself, may cause damages on the fixtures. It is necessary that the electrical installation where the LED lighting fittings and their power supply units and control gears are installed must be equipped with proper devices for the protection and suppression of transient phenomena (SPD, isolation transformer, etc...). Such devices must be coordinated with the other protections of the installation; on this theme, it's necessary to refer to the electrical installations norms which are in force in each country.

AZIMUT 58 Monochromatic U.S. type DATA-SHEET

ACCESSORIES:

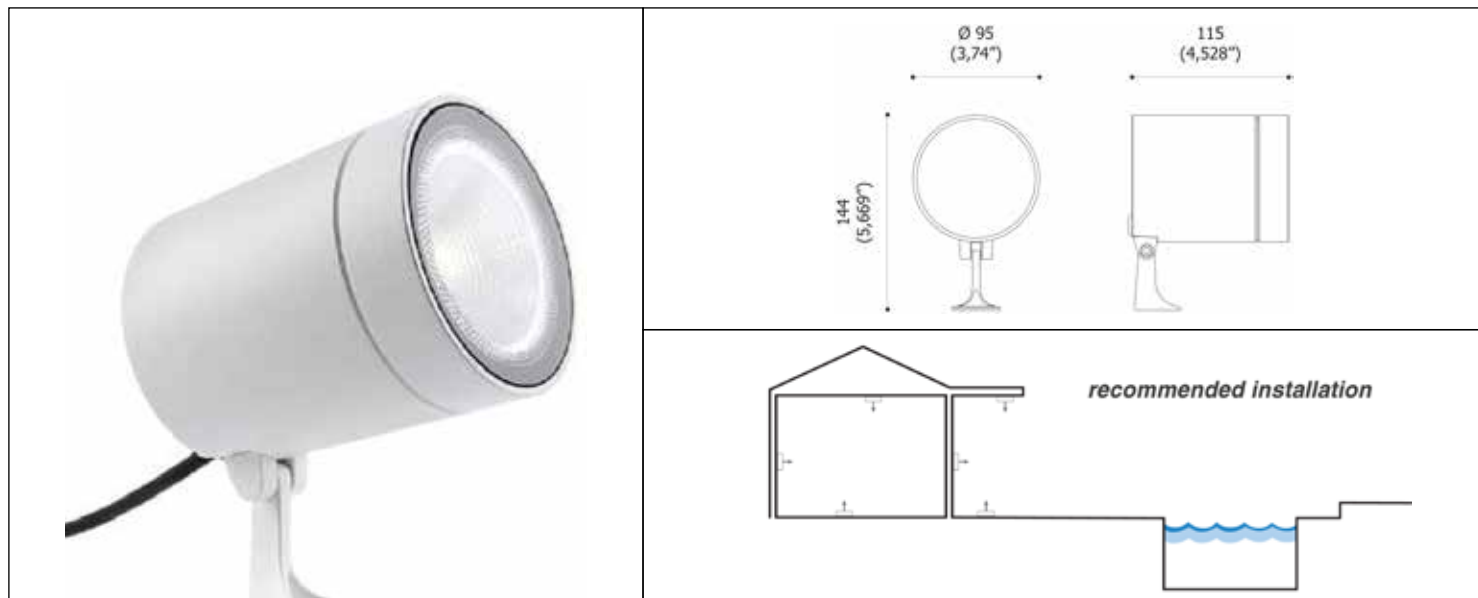
ACC.0270.0

black anodized aluminium glare cowl for Azimut 58



AZIMUT 95 Monochromatic

DATA-SHEET



PRODUCT DESCRIPTION:

Professional compact floodlights for direct and indirect lighting suitable for indoor and outdoor installations.
 Body Anticorodal aluminium alloy EN AW-6060 and tempered transparent flat glass.
 UV resistance of all materials.

TECHNICALS FEATURES:

Materials	Anticorodal aluminium alloy EN AW-6060 ; Stainless steel inox AISI 316L ; tempered transparent flat glass
Front Finishes	White sablé ; Black sablé ; Copper ; Red durmast ; Light durmast
Input rated Voltage	110-240 Vac mains voltage
Power	22 W
Light Source	COB LED LM 80 COMPLIANT
Color Temperature	3000K ; 4000K
Ra	> 80
Chromatic Selection	Mac-Adam 3-step
Lifetime	> 50000 h (TM21 L80 B10 @50000h)
Optics	narrow beam 15° ; medium beam 25° ; wide beam 45°
Tc metal body	< 90 °C
Ta operating temperature	- 30 ÷ 50 °C
Ts surface temperature	≤ 65 °C
Functions	On/Off
Cable	Cable H05RN-F 3G0,75 3x0,75 mm ² (Brown, Blue, Yellow/green) Ø 7 mm L. 1m
Weigth	1 Kg
Installations	Surface (wall, floor, ceiling)
Norms	EN60598-1 ; EN60598-2 and its parts ; EN61347-1 and its parts; EN55015 ; EN61000-3 and its parts ; EN61547



NOTE:

Photometric data available at www.aldabra.it

AZIMUT 95 Monochromatic

DATA-SHEET

GENERAL FEATURES:

	Power (W)	Power Supply
AZI.03.XXXXX.X	22	110-240 Vac mains voltage

OPTICAL FEATURES:

AZI.XX. M XXXX.X	Narrow beam 15°
AZI.XX. F XXXX.X	Medium beam 25°
AZI.XX. W XXXX.X	Wide beam 45°

LED FEATURES:

	COB LED	Lm*	Ra	Chromatic selection
AZI.XX.X 30 XX.X	Warm white 3000K		>80	MacAdam 3-step
AZI.XX.X 40 XX.X	Neutral white 4000K		>80	MacAdam 3-step

*delivered luminous flux

FINISHES FEATURES:

AZI.XX.XXX W2 .X	White sablé
AZI.XX.XXX B2 .X	Black sablé
AZI.XX.XXX M1 .X	Copper
AZI.XX.XXX C1 .X	Red durmast
AZI.XX.XXX C2 .X	Light durmast

GENERAL INFORMATIONS:

Kindly note that atmospheric agents (such as lightnings, etc) , electrostatics charges or disturbances on the installation not caused by Aldabra lighting fixtures and Led drivers indicated by Aldabra itself, may cause damages on the fixtures. It is necessary that the electrical installation where the LED lighting fittings and their power supply units and control gears are installed must be equipped with proper devices for the protection and suppression of transient phenomena (SPD, isolation transformer, etc...). Such devices must be coordinated with the other protections of the installation; on this theme, it's necessary to refer to the electrical installations norms which are in force in each country.

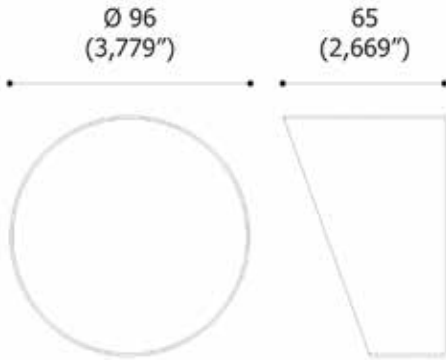
AZIMUT 95 Monochromatic

DATA-SHEET

ACCESSORIES:

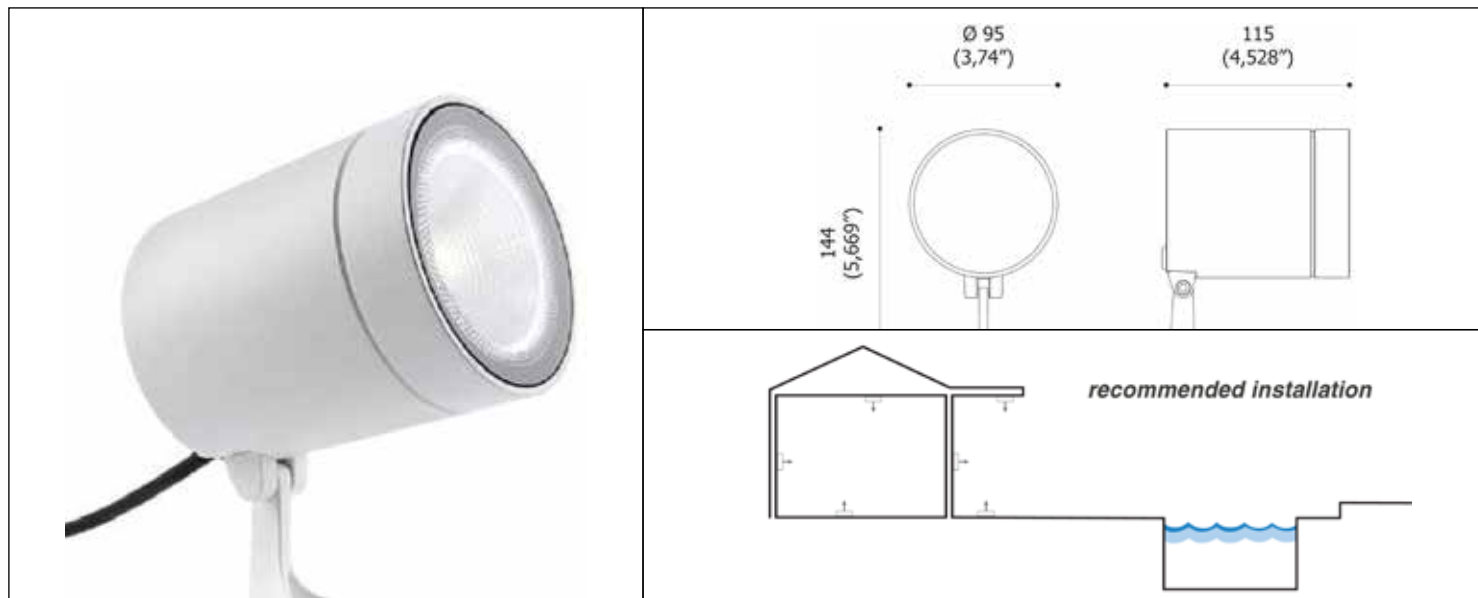
ACC.0271.0

black anodized aluminium glare cowl for Azimut 95



AZIMUT 95 RGB

DATA-SHEET



PRODUCT DESCRIPTION:

Professional compact floodlights for direct and indirect lighting suitable for indoor and outdoor installations. Body Anticorodal aluminium alloy EN AW-6060 and tempered transparent flat glass. UV resistance of all materials.

TECHNICALS FEATURES:

Materials	Anticorodal aluminium alloy EN AW-6060 ; Stainless steel inox AISI 316L ; tempered transparent flat glass
Front Finishes	White sablé ; Black sablé ; Copper ; Red durmast ; Light durmast
Power Supply	24 Vdc constant voltage
Power	14 W
Light Source	Power LED LM 80 COMPLIANT
Dominant Wavelength	R=622nm, G=530nm, B=470nm
Lifetime	> 50000 h (TM21 L80 B10 @50000h)
Optics	medium beam 30° ; wide beam 45°
Tc metal body	< 90 °C (194 °F)
Ta operating temperature	- 30 ÷ 50 °C (-22 ÷ 122 °F)
Ts surface temperature	≤ 65 °C (149 °F)
Functions	On/Off
Cable	AWM style 20233 2x0,75mm ² (AWG18) Red;Black+3x0,5mm ² (AWG20) Red/black, Green/black, Blue/black L. 1 m (3,28 ft).
Weigth	1 Kg (2,2 lb)
Installations	Surface (wall, floor, ceiling)
Norms	EN60598-1 ; EN60598-2 and its parts ; UL 1598 ; CSA C22.2 No. 250



NOTE:

Photometric data available at www.aldabra.it

AZIMUT 95 RGB DATA-SHEET

GENERAL FEATURES:

	Power (W)	Power Supply
AZI.03.XXXXX.X	14	24 Vdc constant voltage

OPTICAL FEATURES:

AZI.XX. F XXXX.X	Medium beam 30°
AZI.XX. W XXXX.X	Wide beam 45°

LED FEATURES:

	Power LED
AZI.XX.X 90 XX.X	R, G, B

FINISHES FEATURES:

AZI.XX.XXX W2 .X	White sablé
AZI.XX.XXX B2 .X	Black sablé
AZI.XX.XXX M1 .X	Copper
AZI.XX.XXX C1 .X	Red durmast
AZI.XX.XXX C2 .X	Light durmast

GENERAL INFORMATIONS:

Kindly note that atmospheric agents (such as lightnings, etc) , electrostatics charges or disturbances on the installation not caused by Aldabra lighting fixtures and Led drivers indicated by Aldabra itself, may cause damages on the fixtures. It is necessary that the electrical installation where the LED lighting fittings and their power supply units and control gears are installed must be equipped with proper devices for the protection and suppression of transient phenomena (SPD, isolation transformer, etc...). Such devices must to be coordinated with the other protections of the installation; on this theme, it's necessary to refer to the electrical installations norms which are in force in each country.

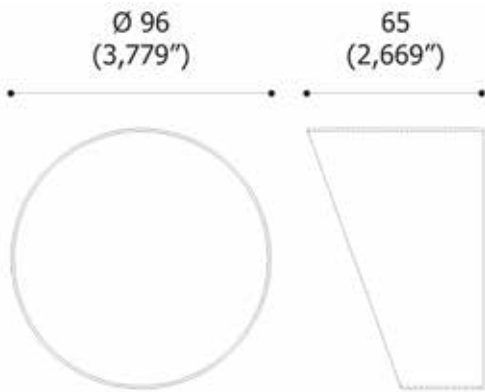
AZIMUT 95 RGB

DATA-SHEET

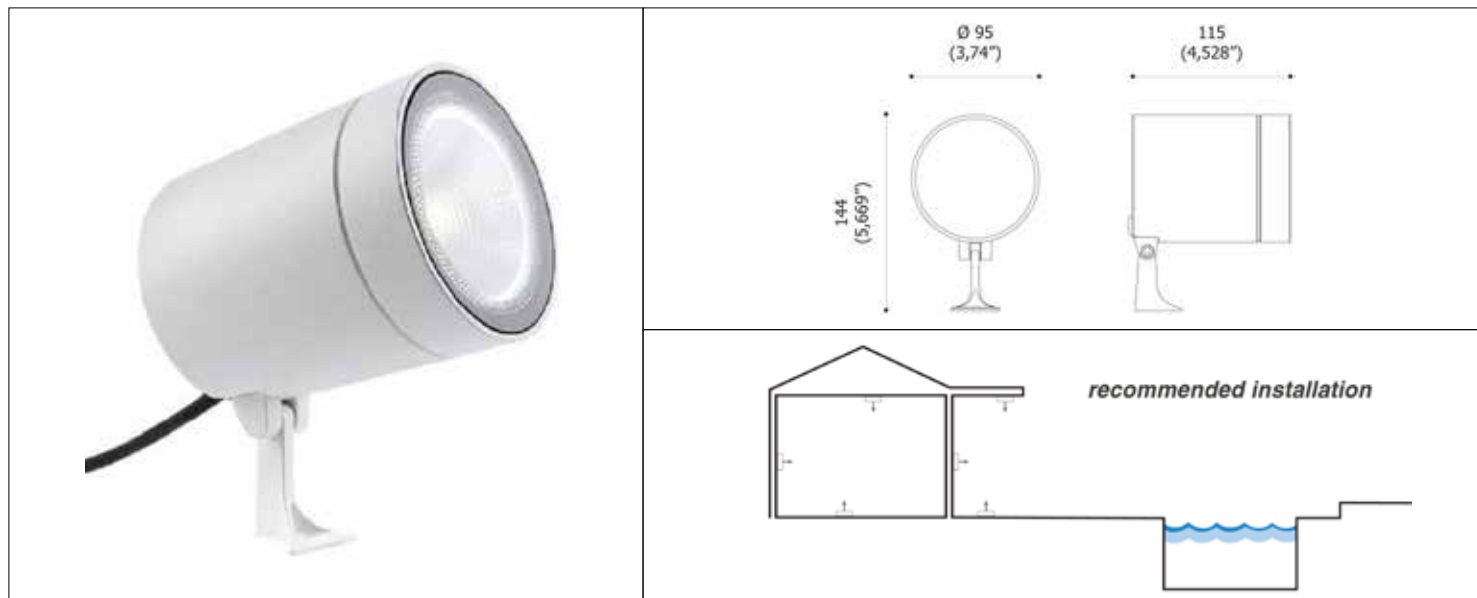
ACCESSORIES:

ACC.0271.0

black anodized aluminium glare cowl for Azimut 95



AZIMUT 95 Monochromatic U.S. type DATA-SHEET



PRODUCT DESCRIPTION:

Professional compact floodlights for direct and indirect lighting suitable for indoor and outdoor installations.
Body Anticorodal aluminium alloy EN AW-6060 and tempered transparent flat glass.
UV resistance of all materials.

TECHNICALS FEATURES:

Materials	Anticorodal aluminium alloy EN AW-6060 ; Stainless steel inox AISI 316L ; tempered transparent flat glass
Front Finishes	White sablé ; Black sablé ; Copper ; Red durmast ; Light durmast
Input rated Voltage	120-277 Vac , 50/60 Hz (nominal Voltage) ; 110-277 Vac , 50/60 Hz (Voltage range)
Power	22 W
Light Source	COB LED 110-145 lm/W LM 80 COMPLIANT
Color Temperature	3000K ; 4000K
Ra	> 80
Chromatic Selection	Mac-Adam 3-step
Lifetime	> 50000 h (TM21 L80 B10 @50000h)
Optics	narrow beam 15° ; medium beam 25° ; wide beam 45°
Tc metal body	< 90 °C (194 °F)
Ta operating temperature	- 30 ÷ 50 °C (-22 ÷ 122 °F)
Ts surface temperature	≤ 65 °C (149 °F)
Functions	On/Off
Cable	Cable PVC/PVC SJTW UL CSA T23183 3XAWG18 White, Black, Green L. 3,28 ft
Weigth	1 Kg (2,2 Lbs)
Installations	Surface (wall, floor, ceiling)
Norms	Under certification following : UL 1598 ; CSA C22.2 No. 250



NOTE:

Photometric data available at www.aldabra.it

AZIMUT 95 Monochromatic U.S. type DATA-SHEET

GENERAL FEATURES:

	Power (W)	Power Supply
AZI.06.XXXXX.X	22	120-277 Vac mains voltage

OPTICAL FEATURES:

AZI.XX. M XXXX.X	Narrow beam 15°
AZI.XX. F XXXX.X	Medium beam 25°
AZI.XX. W XXXX.X	Wide beam 45°

LIGHT FEATURES:

	COB LED	Lm*	Ra	Chromatic selection
AZI.XX.X 30 XX.X	Warm white 3000K		>80	MacAdam 3-step
AZI.XX.X 40 XX.X	Neutral white 4000K		>80	MacAdam 3-step

*delivered luminous flux (narrow beam)

FINISHES FEATURES:

AZI.XX.XXX W2 .X	White sablé
AZI.XX.XXX B2 .X	Black sablé
AZI.XX.XXX M1 .X	Copper
AZI.XX.XXX C1 .X	Red durmast
AZI.XX.XXX C2 .X	Light durmast

GENERAL INFORMATIONS:

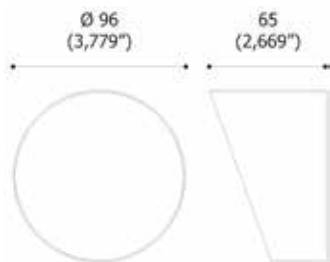
Kindly note that atmospheric agents (such as lightnings, etc) , electrostatics charges or disturbances on the installation not caused by Aldabra lighting fixtures and Led drivers indicated by Aldabra itself, may cause damages on the fixtures. It is necessary that the electrical installation where the LED lighting fittings and their power supply units and control gears are installed must be equipped with proper devices for the protection and suppression of transient phenomena (SPD, isolation transformer, etc...). Such devices must be coordinated with the other protections of the installation; on this theme, it's necessary to refer to the electrical installations norms which are in force in each country.

AZIMUT 95 Monochromatic U.S. type DATA-SHEET

ACCESSORIES:

ACC.0271.0

black anodized aluminium glare cowl for Azimut 95



Product code	Code	Release date	Product	Power	Supply	CCT	Optics	lux (lm) *tj=25 **	Fixture Flux (lm)
AZI.01.F30C2.0	AZI.01.F30XX.0	25/11	Azimut 48	7W	110-240Vac	3000 K	Lens 30°	688,50**	431,38
AZI.01.F40W2.0	AZI.01.F40XX.0	25/11	Azimut 48	7W	110-240Vac	4000 K	Lens 30°	742,50**	465,19
AZI.01.F40B2.0	AZI.01.F40XX.0	25/11	Azimut 48	7W	110-240Vac	4000 K	Lens 30°	742,50**	465,19
AZI.01.F40C1.0	AZI.01.F40XX.0	25/11	Azimut 48	7W	110-240Vac	4000 K	Lens 30°	742,50**	465,19
AZI.01.F40C2.0	AZI.01.F40XX.0	25/11	Azimut 48	7W	110-240Vac	4000 K	Lens 30°	742,50**	465,19
AZI.04.F30W2.0	AZI.04.F30XX.0	25/11	Azimut 48 US	7W	110-240Vac	3000 K	Lens 30°	688,50**	431,38
AZI.04.F30B2.0	AZI.04.F30XX.0	25/11	Azimut 48 US	7W	110-240Vac	3000 K	Lens 30°	688,50**	431,38
AZI.04.F30C1.0	AZI.04.F30XX.0	25/11	Azimut 48 US	7W	110-240Vac	3000 K	Lens 30°	688,50**	431,38
AZI.04.F30C2.0	AZI.04.F30XX.0	25/11	Azimut 48 US	7W	110-240Vac	3000 K	Lens 30°	688,50**	431,38
AZI.04.F40W2.0	AZI.04.F40XX.0	25/11	Azimut 48 US	7W	110-240Vac	4000 K	Lens 30°	742,50**	465,19
AZI.04.F40B2.0	AZI.04.F40XX.0	25/11	Azimut 48 US	7W	110-240Vac	4000 K	Lens 30°	742,50**	465,19
AZI.04.F40C1.0	AZI.04.F40XX.0	25/11	Azimut 48 US	7W	110-240Vac	4000 K	Lens 30°	742,50**	465,19
AZI.04.F40C2.0	AZI.04.F40XX.0	25/11	Azimut 48 US	7W	110-240Vac	4000 K	Lens 30°	742,50**	465,19
AZI.03.F90W2.0	AZI.03.F90XX.0	18/9	Azimut 95	14W	24V	RGB	Lens 30°	800,00**	463,73
AZI.03.F90W2.0	AZI.03.F90XX.0 R	18/9	Azimut 95	4W	24V	RGB (Rosso)	Lens 30°	270,00**	168,04
AZI.03.F90W2.0	AZI.03.F90XX.0 G	18/9	Azimut 95	5W	24V	RGB (Verde)	Lens 30°	380,00**	228,61
AZI.03.F90W2.0	AZI.03.F90XX.0 B	18/9	Azimut 95	5W	24V	RGB (Blu)	Lens 30°	150,00**	95,43
AZI.03.F90B2.0	AZI.03.F90XX.0	18/9	Azimut 95	14W	24V	RGB	Lens 30°	800,00**	463,73
AZI.03.F90B2.0	AZI.03.F90XX.0 R	18/9	Azimut 95	4W	24V	RGB (Rosso)	Lens 30°	270,00**	168,04
AZI.03.F90B2.0	AZI.03.F90XX.0 G	18/9	Azimut 95	5W	24V	RGB (Verde)	Lens 30°	380,00**	228,61
AZI.03.F90B2.0	AZI.03.F90XX.0 B	18/9	Azimut 95	5W	24V	RGB (Blu)	Lens 30°	150,00**	95,43
AZI.03.F90C1.0	AZI.03.F90XX.0	18/9	Azimut 95	14W	24V	RGB	Lens 30°	800,00**	463,73
AZI.03.F90C1.0	AZI.03.F90XX.0 R	18/9	Azimut 95	4W	24V	RGB (Rosso)	Lens 30°	270,00**	168,04
AZI.03.F90C1.0	AZI.03.F90XX.0 G	18/9	Azimut 95	5W	24V	RGB (Verde)	Lens 30°	380,00**	228,61
AZI.03.F90C1.0	AZI.03.F90XX.0 B	18/9	Azimut 95	5W	24V	RGB (Blu)	Lens 30°	150,00**	95,43
AZI.03.F90C2.0	AZI.03.F90XX.0	18/9	Azimut 95	14W	24V	RGB	Lens 30°	800,00**	463,73
AZI.03.F90C2.0	AZI.03.F90XX.0 R	18/9	Azimut 95	4W	24V	RGB (Rosso)	Lens 30°	270,00**	168,04
AZI.03.F90C2.0	AZI.03.F90XX.0 G	18/9	Azimut 95	5W	24V	RGB (Verde)	Lens 30°	380,00**	228,61
AZI.03.F90C2.0	AZI.03.F90XX.0 B	18/9	Azimut 95	5W	24V	RGB (Blu)	Lens 30°	150,00**	95,43
AZI.03.F91W2.0	AZI.03.F91XX.0	18/9	Azimut 95	18W	24V	RGBW	Lens 30°	1220,00**	734,37
AZI.03.F91W2.0	AZI.03.F91XX.0 R	18/9	Azimut 95	4W	24V	RGBW (Rosso)	Lens 30°	270,00**	168,04
AZI.03.F91W2.0	AZI.03.F91XX.0 G	18/9	Azimut 95	5W	24V	RGBW (Verde)	Lens 30°	380,00**	228,61
AZI.03.F91W2.0	AZI.03.F91XX.0 B	18/9	Azimut 95	5W	24V	RGBW (Blu)	Lens 30°	150,00**	95,43
AZI.03.F91W2.0	AZI.03.F91XX.0 W	18/9	Azimut 95	4W	24V	RGBW (Bianco)	Lens 30°	420,00**	293,44
AZI.03.F91B2.0	AZI.03.F91XX.0	18/9	Azimut 95	18W	24V	RGBW	Lens 30°	1220,00**	734,37
AZI.03.F91B2.0	AZI.03.F91XX.0 R	18/9	Azimut 95	4W	24V	RGBW (Rosso)	Lens 30°	270,00**	168,04
AZI.03.F91B2.0	AZI.03.F91XX.0 G	18/9	Azimut 95	5W	24V	RGBW (Verde)	Lens 30°	380,00**	228,61
AZI.03.F91B2.0	AZI.03.F91XX.0 B	18/9	Azimut 95	5W	24V	RGBW (Blu)	Lens 30°	150,00**	95,43
AZI.03.F91B2.0	AZI.03.F91XX.0 W	18/9	Azimut 95	4W	24V	RGBW (Bianco)	Lens 30°	420,00**	293,44
AZI.03.F91C1.0	AZI.03.F91XX.0	18/9	Azimut 95	18W	24V	RGBW	Lens 30°	1220,00**	734,37
AZI.03.F91C1.0	AZI.03.F91XX.0 R	18/9	Azimut 95	4W	24V	RGBW (Rosso)	Lens 30°	270,00**	168,04
AZI.03.F91C1.0	AZI.03.F91XX.0 G	18/9	Azimut 95	5W	24V	RGBW (Verde)	Lens 30°	380,00**	228,61
AZI.03.F91C1.0	AZI.03.F91XX.0 B	18/9	Azimut 95	5W	24V	RGBW (Blu)	Lens 30°	150,00**	95,43
AZI.03.F91C1.0	AZI.03.F91XX.0 W	18/9	Azimut 95	4W	24V	RGBW (Bianco)	Lens 30°	420,00**	293,44
AZI.03.F91C2.0	AZI.03.F91XX.0	18/9	Azimut 95	18W	24V	RGBW	Lens 30°	1220,00**	734,37
AZI.03.F91C2.0	AZI.03.F91XX.0 R	18/9	Azimut 95	4W	24V	RGBW (Rosso)	Lens 30°	270,00**	168,04
AZI.03.F91C2.0	AZI.03.F91XX.0 G	18/9	Azimut 95	5W	24V	RGBW (Verde)	Lens 30°	380,00**	228,61
AZI.03.F91C2.0	AZI.03.F91XX.0 B	18/9	Azimut 95	5W	24V	RGBW (Blu)	Lens 30°	150,00**	95,43
AZI.03.F91C2.0	AZI.03.F91XX.0 W	18/9	Azimut 95	4W	24V	RGBW (Bianco)	Lens 30°	420,00**	293,44
AZI.06.F90W2.0	AZI.06.F90XX.0	18/9	Azimut 95 US	14W	24V	RGB	Lens 30°	800,00**	463,73
AZI.06.F90W2.0	AZI.06.F90XX.0 R	18/9	Azimut 95 US	4W	24V	RGB (Rosso)	Lens 30°	270,00**	168,04
AZI.06.F90W2.0	AZI.06.F90XX.0 G	18/9	Azimut 95 US	5W	24V	RGB (Verde)	Lens 30°	380,00**	228,61
AZI.06.F90W2.0	AZI.06.F90XX.0 B	18/9	Azimut 95 US	5W	24V	RGB (Blu)	Lens 30°	150,00**	95,43
AZI.06.F90B2.0	AZI.06.F90XX.0	18/9	Azimut 95 US	14W	24V	RGB	Lens 30°	800,00**	463,73
AZI.06.F90B2.0	AZI.06.F90XX.0 R	18/9	Azimut 95 US	4W	24V	RGB (Rosso)	Lens 30°	270,00**	168,04
AZI.06.F90B2.0	AZI.06.F90XX.0 G	18/9	Azimut 95 US	5W	24V	RGB (Verde)	Lens 30°	380,00**	228,61
AZI.06.F90B2.0	AZI.06.F90XX.0 B	18/9	Azimut 95 US	5W	24V	RGB (Blu)	Lens 30°	150,00**	95,43
AZI.06.F90C1.0	AZI.06.F90XX.0	18/9	Azimut 95 US	14W	24V	RGB	Lens 30°	800,00**	463,73
AZI.06.F90C1.0	AZI.06.F90XX.0 R	18/9	Azimut 95 US	4W	24V	RGB (Rosso)	Lens 30°	270,00**	168,04
AZI.06.F90C1.0	AZI.06.F90XX.0 G	18/9	Azimut 95 US	5W	24V	RGB (Verde)	Lens 30°	380,00**	228,61
AZI.06.F90C1.0	AZI.06.F90XX.0 B	18/9	Azimut 95 US	5W	24V	RGB (Blu)	Lens 30°	150,00**	95,43
AZI.06.F90C2.0	AZI.06.F90XX.0	18/9	Azimut 95 US	14W	24V	RGB	Lens 30°	800,00**	463,73
AZI.06.F90C2.0	AZI.06.F90XX.0 R	18/9	Azimut 95 US	4W	24V	RGB (Rosso)	Lens 30°	270,00**	168,04
AZI.06.F90C2.0	AZI.06.F90XX.0 G	18/9	Azimut 95 US	5W	24V	RGB (Verde)	Lens 30°	380,00**	228,61
AZI.06.F90C2.0	AZI.06.F90XX.0 B	18/9	Azimut 95 US	5W	24V	RGB (Blu)	Lens 30°	150,00**	95,43
AZI.01.N30W2.0	AZI.01.N30XX.0	18/9	Azimut 48	3W	110-240Vac	3000 K	Lens 4°	146,25**	63,06
AZI.01.N30B2.0	AZI.01.N30XX.0	18/9	Azimut 48	3W	110-240Vac	3000 K	Lens 4°	146,25**	63,06
AZI.01.N30C1.0	AZI.01.N30XX.0	18/9	Azimut 48	3W	110-240Vac	3000 K	Lens 4°	146,25**	63,06
AZI.01.N30C2.0	AZI.01.N30XX.0	18/9	Azimut 48	3W	110-240Vac	3000 K	Lens 4°	146,25**	63,06
AZI.01.N40W2.0	AZI.01.N40XX.0	18/9	Azimut 48	3W	110-240Vac	4000 K	Lens 4°	161,25**	69,53
AZI.01.N40B2.0	AZI.01.N40XX.0	18/9	Azimut 48	3W	110-240Vac	4000 K	Lens 4°	161,25**	69,53
AZI.01.N40C1.0	AZI.01.N40XX.0	18/9	Azimut 48	3W	110-240Vac	4000 K	Lens 4°	161,25**	69,53
AZI.01.N40C2.0	AZI.01.N40XX.0	18/9	Azimut 48	3W	110-240Vac	4000 K	Lens 4°	161,25**	69,53
AZI.04.N30W2.0	AZI.04.N30XX.0	18/9	Azimut 48 US	3W	110-240Vac	3000 K	Lens 4°	146,25**	63,06
AZI.04.N30B2.0	AZI.04.N30XX.0	18/9	Azimut 48 US	3W	110-240Vac	3000 K	Lens 4°	146,25**	63,06
AZI.04.N30C1.0	AZI.04.N30XX.0	18/9	Azimut 48 US	3W	110-240Vac	3000 K	Lens 4°	146,25**	63,06
AZI.04.N30C2.0	AZI.04.N30XX.0	18/9	Azimut 48 US	3W	110-240Vac	3000 K	Lens 4°	146,25**	63,06
AZI.04.N40W2.0	AZI.04.N40XX.0	18/9	Azimut 48 US	3W	110-240Vac	4000 K	Lens 4°	161,25**	69,53
AZI.04.N40B2.0	AZI.04.N40XX.0	18/9	Azimut 48 US	3W	110-240Vac	4000 K	Lens 4°	161,25**	69,53
AZI.04.N40C1.0	AZI.04.N40XX.0	18/9	Azimut 48 US	3W	110-240Vac	4000 K	Lens 4°	161,25**	69,53
AZI.04.N40C2.0	AZI.04.N40XX.0	18/9	Azimut 48 US	3W	110-240Vac	4000 K	Lens 4°	161,25**	69,53
AZI.02.W30W2.0	AZI.02.W30XX.0	13/11	Azimut 58	10W	110-240Vac	3000 K	Lens 45°	1337,04**	1060,36
AZI.02.W30B2.0	AZI.02.W30XX.0	13/11	Azimut 58	10W	110-240Vac	3000 K	Lens 45°	1337,04**	1060,36

