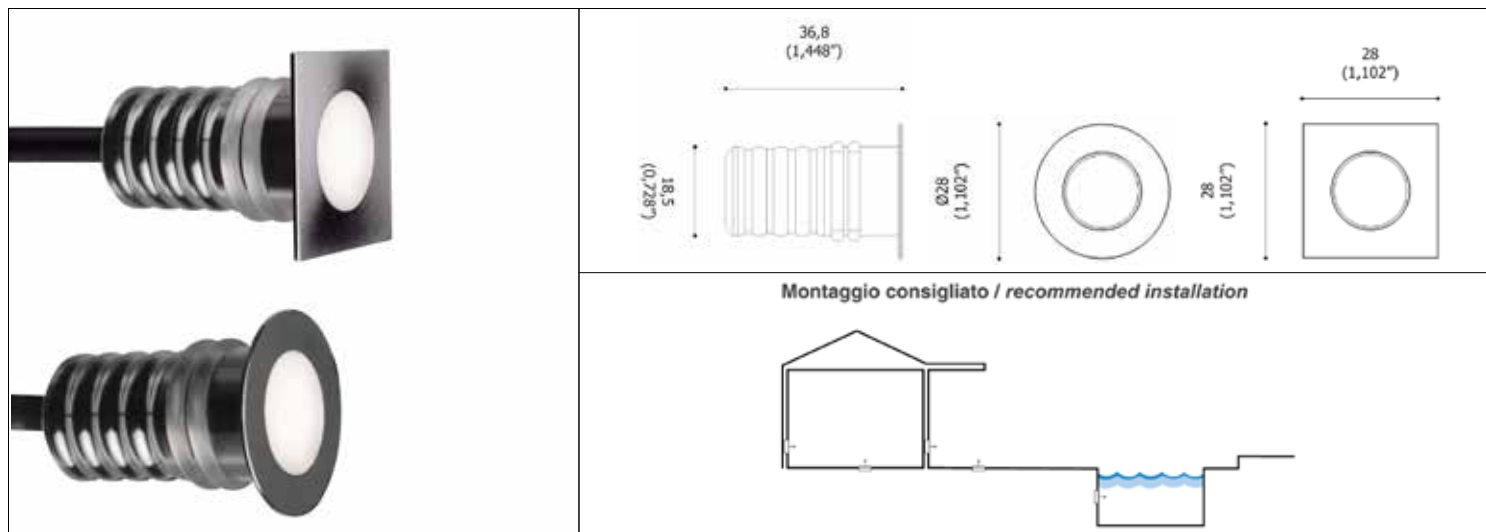


## PUNTO Monochromatic

### DATA-SHEET



#### PRODUCT DESCRIPTION:

Professional spot lighting for signal lighting suitable for indoor and outdoor settings, permanent immersion down to 10 meters. Body finished satin stainless steel with opaque and transparent resin. All the materials are suitable for use in swimming pools, fountains and with salt water. UV resistance of all materials.

#### TECHNICALS FEATURES:

<b>Materials</b>	Stainless steel AISI 316L ; Resins
<b>Finishes</b>	Satin stainless steel AISI 316L
<b>Power Supply</b>	24 Vdc constant voltage
<b>Power</b>	0,5 W
<b>Light Source</b>	Mid-Power LED/SMD LM 80 COMPLIANT
<b>Color Temperature</b>	2700 K ; 3000 K ; 3300 K ; 3700 K ; 5200 K
<b>Version</b>	R (round) ; Q (square)
<b>Ra</b>	> 80
<b>Chromatic Selection</b>	Mac-Adam 3-step
<b>Lifetime</b>	> 50000 h (TM21 L80 B10 @50000h)
<b>Optics</b>	Transparent or Opal diffuser
<b>Tc metal body</b>	< 90 °C (194 °F)
<b>Ta operating temperature</b>	- 30 ÷ 50 °C (-22 ÷ 122 °F)
<b>Ts surface temperature</b>	≤ 65 °C (149 °F)
<b>Functions</b>	On/Off ; dimmable
<b>Cable</b>	AWM style 20233 2x0,75mm <sup>2</sup> (AWG18) Red;Black Ø 5,2 (0,204") L. 0,5 m (1,64 ft).
<b>Weigth</b>	75 g (2,64 oz)
<b>Walk over</b>	up to 500 Kg (1,102 Lbs)
<b>Installations</b>	Ground or Wall recessed
<b>Norms</b>	60598-1 ; 60598-2 and its parts ; UL 676 ; CSA C22.2 No. 89-15 ; UL 2108 ; UL 1598/C250.-08



#### NOTE:

Power supplies, control&dimming devices and fixing kits must to be orderd separately. Aldabra power supply consumption is equal to 15% of the fixture nominal power. Photometric data available at [www.aldabra.it](http://www.aldabra.it)

## PUNTO Monochromatic DATA-SHEET

### GENERAL FEATURES:

	version	power (W)
<b>PUN.01.XXXXX.X</b>	R	0,5
<b>PUN.02.XXXXX.X</b>	Q	0,5

### OPTICAL FEATURES:

PUN.XX.TXXXX.X	Transparent diffuser 99°
PUN.XX.DXXXX.X	Opal diffuser 90°

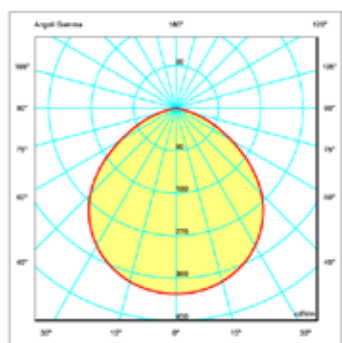
### LIGHT FEATURES:

	Mid-Power LED	lm*	Ra	Chromatic selection
PUN.XX.X27XX.X	2700K warm white	11	>80	MacAdam 3-step
PUN.XX.X30XX.X	3000K warm white	12	>80	MacAdam 3-step
PUN.XX.X33XX.X	3300K natural white	12	>80	MacAdam 3-step
PUN.XX.X37XX.X	3700K natural white	14	>80	MacAdam 3-step
PUN.XX.X52XX.X	5200K cool white	16	>80	MacAdam 3-step

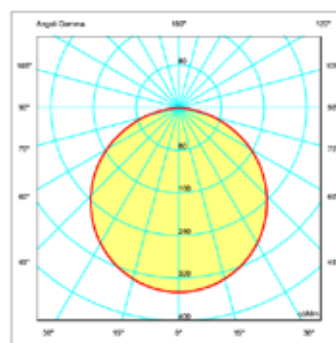
\*delivered luminous flux (opal)

### FINISHES FEATURES:

PUN.XX.XXXS1.X	Satin stainless steel AISI 316L
----------------	---------------------------------



transparent diffuser 99°



satin diffuser 90°

### GENERAL INFORMATIONS:

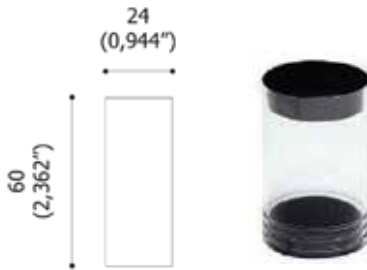
Kindly note that atmospheric agents ( such as lightnings, etc ) , electrostatics charges or disturbances on the installation not caused by Aldabra lighting fixtures and Led drivers indicated by Aldabra itself, may cause damages on the fixtures. It is necessary that the electrical installation where the LED lighting fittings and their power supply units and control gears are installed must be equipped with proper devices for the protection and suppression of transient phenomena (SPD, isolation transformer, etc...). Such devices must to be coordinated with the other protections of the installation; on this theme, it's necessary to refer to the electrical installations norms which are in force in each country.

## PUNTO Monochromatic DATA-SHEET

### RECESSING BOXES:

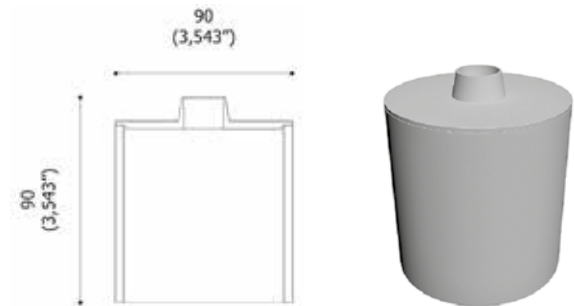
#### CSF.0027.0

standard housing box



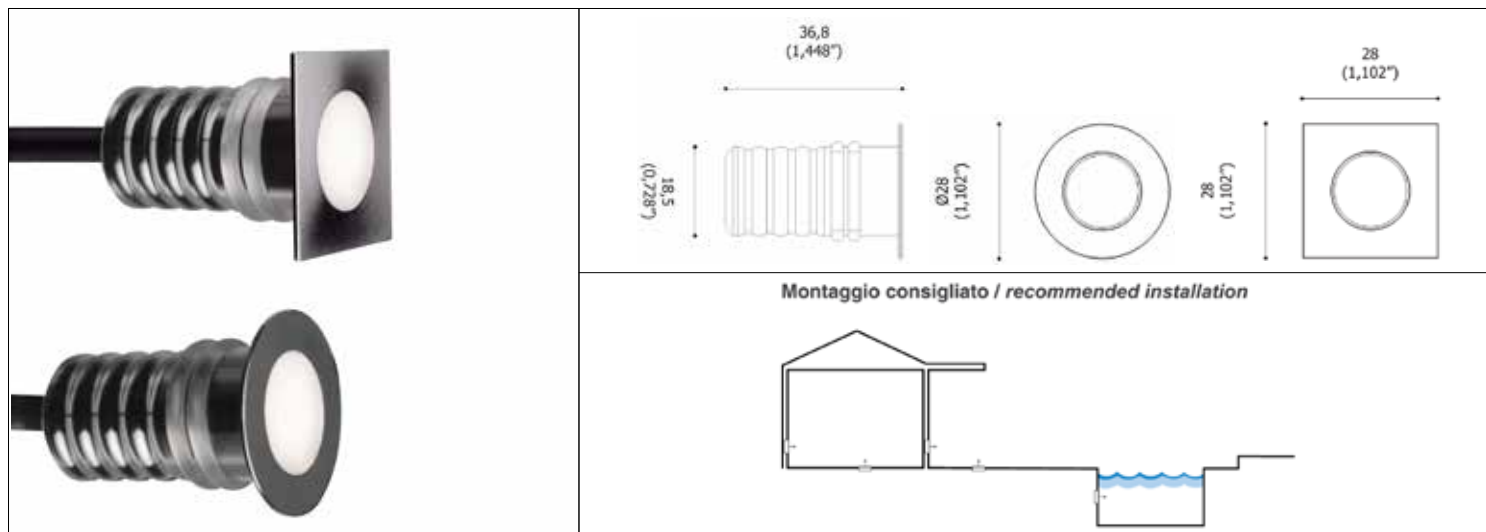
#### CSF.0028.0

draining recessing box



## PUNTO Monochromatic UL version

### DATA-SHEET



#### PRODUCT DESCRIPTION:

Professional spot lighting for signal lighting suitable for indoor and outdoor settings, permanent immersion down to 10 meters. Body finished satin stainless steel with opaque and transparent resin. All the materials are suitable for use in swimming pools, fountains and with salt water. UV resistance of all materials.

#### TECHNICALS FEATURES:

<b>Materials</b>	Stainless steel AISI 316L ; Resins
<b>Finishes</b>	Satin stainless steel AISI 316L
<b>Power Supply</b>	24 Vdc constant voltage
<b>Power</b>	0,5 W
<b>Light Source</b>	Mid-Power LED/SMD LM 80 COMPLIANT
<b>Color Temperature</b>	2700 K ; 3000 K ; 3300 K ; 3700 K ; 5200 K
<b>Version</b>	R (round) ; Q (square)
<b>Ra</b>	> 80
<b>Chromatic Selection</b>	Mac-Adam 3-step
<b>Lifetime</b>	> 50000 h (TM21 L80 B10 @50000h)
<b>Optics</b>	Transparent or Opal diffuser
<b>Tc metal body</b>	< 90 °C (194 °F)
<b>Ta operating temperature</b>	- 30 ÷ 50 °C (-22 ÷ 122 °F)
<b>Ts surface temperature</b>	≤ 65 °C (149 °F)
<b>Functions</b>	On/Off ; dimmable
<b>Cable</b>	AWM style 20233 2x0,75mm <sup>2</sup> (AWG18) Red;Black Ø 5,2 (0,204") L. 5 m (16,40 ft).
<b>Weigth</b>	75 g (2,64 oz)
<b>Walk over</b>	up to 500 Kg (1,102 Lbs)
<b>Installations</b>	Ground or Wall recessed
<b>Norms</b>	60598-1 ; 60598-2 and its parts ; UL 676 ; CSA C22.2 No. 89-15 ; UL 2108 ; UL 1598/C250.-08



#### NOTE:

Power supplies, control&dimming devices and fixing kits must to be orderd separately. Aldabra power supply consumption is equal to 15% of the fixture nominal power. Photometric data available at [www.aldabra.it](http://www.aldabra.it)

## PUNTO Monochromatic UL version DATA-SHEET

### GENERAL FEATURES:

	version	power (W)
<b>PUN.01.XXXXX.U</b>	R	0,5
<b>PUN.02.XXXXX.U</b>	Q	0,5

### OPTICAL FEATURES:

PUN.XX.TXXXX.U	Transparent diffuser 99°
PUN.XX.DXXXX.U	Opal diffuser 90°

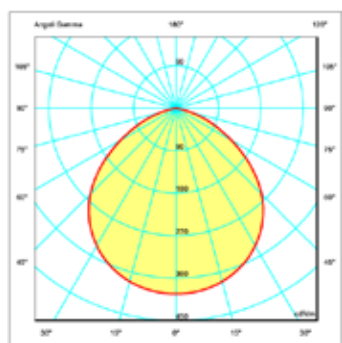
### LIGHT FEATURES:

	Mid-Power LED	lm*	Ra	Chromatic selection
PUN.XX.X27XX.U	2700K warm white	11	>80	MacAdam 3-step
PUN.XX.X30XX.U	3000K warm white	12	>80	MacAdam 3-step
PUN.XX.X33XX.U	3300K natural white	12	>80	MacAdam 3-step
PUN.XX.X37XX.U	3700K natural white	14	>80	MacAdam 3-step
PUN.XX.X52XX.U	5200K cool white	16	>80	MacAdam 3-step

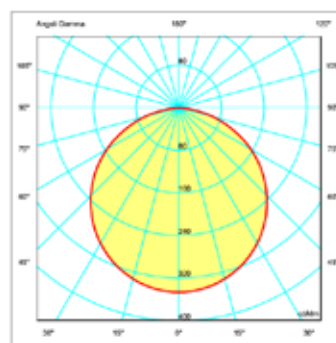
\*delivered luminous flux (opal)

### FINISHES FEATURES:

PUN.XX.XXXS1.U	Satin stainless steel AISI 316L
----------------	---------------------------------



transparent diffuser 99°



satin diffuser 90°

### GENERAL INFORMATIONS:

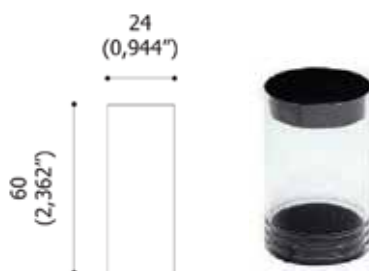
Kindly note that atmospheric agents ( such as lightnings, etc ) , electrostatics charges or disturbances on the installation not caused by Aldabra lighting fixtures and Led drivers indicated by Aldabra itself, may cause damages on the fixtures. It is necessary that the electrical installation where the LED lighting fittings and their power supply units and control gears are installed must be equipped with proper devices for the protection and suppression of transient phenomena (SPD, isolation transformer, etc...). Such devices must to be coordinated with the other protections of the installation; on this theme, it's necessary to refer to the electrical installations norms which are in force in each country.

## PUNTO Monochromatic UL version DATA-SHEET

### RECESSING BOXES:

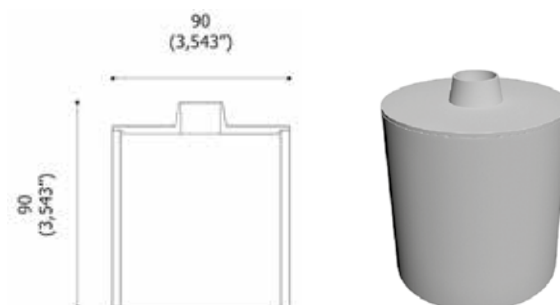
#### CSF.0027.0

standard housing box



#### CSF.0028.0

draining recessing box



Product code	Code	Release date	Product	Power	Supply	CCT	Optics	lux (lm) *tj=25 **	Fixture Flux (lm)
PUN.02.T27S1.0	PUN.02.T27S1.0	24/1	Punto Q	0,5W	24V	2700 K	Opal diffuser	43,20*	10,39
PUN.02.T30S1.0	PUN.02.T30S1.0	24/1	Punto Q	0,5W	24V	3000 K	Opal diffuser	48,60*	11,69
PUN.02.T33S1.0	PUN.02.T33S1.0	24/1	Punto Q	0,5W	24V	3300 K	Opal diffuser	48,60*	11,69
PUN.02.T37S1.0	PUN.02.T37S1.0	24/1	Punto Q	0,5W	24V	3700 K	Opal diffuser	56,16*	13,51
PUN.02.T52S1.0	PUN.02.T52S1.0	24/1	Punto Q	0,5W	24V	5200 K	Opal diffuser	64,80*	15,59
PUN.01.T27S1.0	PUN.01.T27S1.0	24/1	Punto R	0,5W	24V	2700 K	Opal diffuser	43,20*	10,39
PUN.01.T30S1.0	PUN.01.T30S1.0	24/1	Punto R	0,5W	24V	3000 K	Opal diffuser	48,60*	11,69
PUN.01.T33S1.0	PUN.01.T33S1.0	24/1	Punto R	0,5W	24V	3300 K	Opal diffuser	48,60*	11,69
PUN.01.T37S1.0	PUN.01.T37S1.0	24/1	Punto R	0,5W	24V	3700 K	Opal diffuser	56,16*	13,51
PUN.01.T52S1.0	PUN.01.T52S1.0	24/1	Punto R	0,5W	24V	5200 K	Opal diffuser	64,80*	15,59
PUN.02.D27S1.0	PUN.02.D27S1.0	24/1	Punto Q	0,5W	24V	2700 K	Trasparent diffuser	43,20*	28,02
PUN.02.D30S1.0	PUN.02.D30S1.0	24/1	Punto Q	0,5W	24V	3000 K	Trasparent diffuser	48,60*	31,52
PUN.02.D33S1.0	PUN.02.D33S1.0	24/1	Punto Q	0,5W	24V	3300 K	Trasparent diffuser	48,60*	31,52
PUN.02.D37S1.0	PUN.02.D37S1.0	24/1	Punto Q	0,5W	24V	3700 K	Trasparent diffuser	56,16*	36,43
PUN.02.D52S1.0	PUN.02.D52S1.0	24/1	Punto Q	0,5W	24V	5200 K	Trasparent diffuser	64,80*	42,03
PUN.01.D27S1.0	PUN.01.D27S1.0	24/1	Punto R	0,5W	24V	2700 K	Trasparent diffuser	43,20*	28,02
PUN.01.D30S1.0	PUN.01.D30S1.0	24/1	Punto R	0,5W	24V	3000 K	Trasparent diffuser	48,60*	31,52
PUN.01.D33S1.0	PUN.01.D33S1.0	24/1	Punto R	0,5W	24V	3300 K	Trasparent diffuser	48,60*	31,52
PUN.01.D37S1.0	PUN.01.D37S1.0	24/1	Punto R	0,5W	24V	3700 K	Trasparent diffuser	56,16*	36,43
PUN.01.D52S1.0	PUN.01.D52S1.0	24/1	Punto R	0,5W	24V	5200 K	Trasparent diffuser	64,80*	42,03