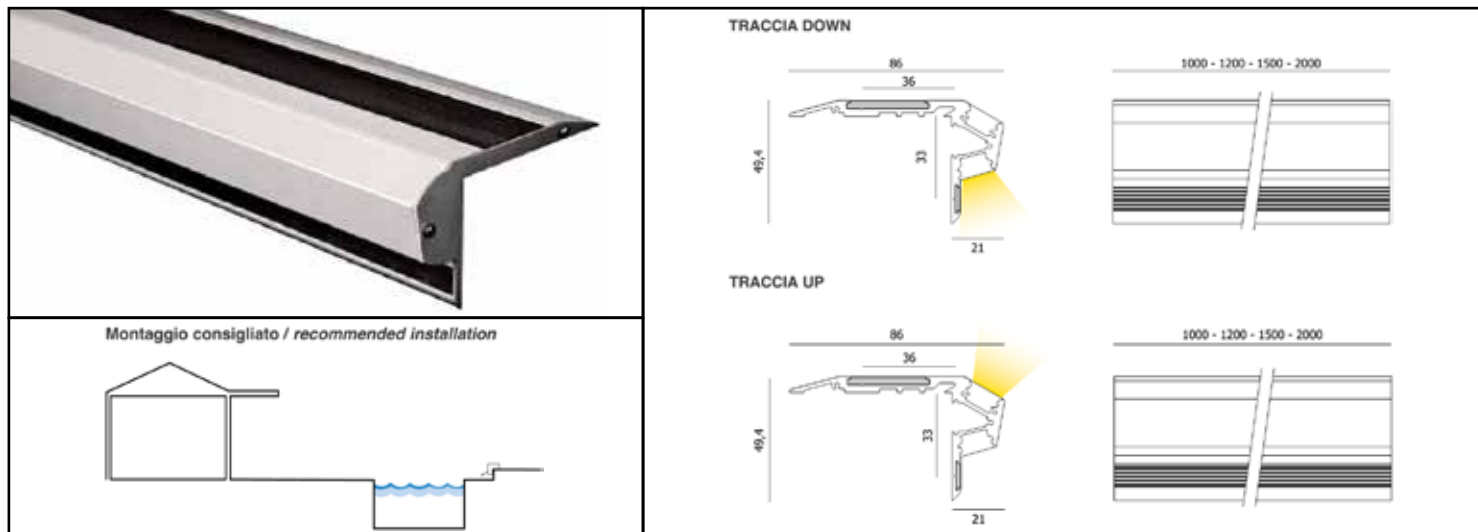


TRACCIA Monochromatic

DATA-SHEET



PRODUCT DESCRIPTION:

Professional linear signal system for direct and indirect lighting suitable for indoor and outdoor settings. Body finished anodized aluminium. UV resistance of all materials.

TECHNICALS FEATURES:

Materials	Aluminium ; resins ; anti-slip rubber
Front Finishes	Anodized aluminium
Power Supply	24 Vdc constant voltage
Power	18 W/m
Light Source	Mid-Power LED/SMD LM 80 COMPLIANT (up or down)
Pitch	5 mm
Color Temperature	3700 K
Ra	> 80
Chromatic Selection	Mac-Adam 3-step
Lifetime	> 50000 h (TM21 L80 B10 @50000h)
Optics	Opal diffuser ; transparent diffuser
Tc metal body	< 90 °C
Ta operating temperature	- 30 ÷ 50 °C
Ts surface temperature	≤ 65 °C
Functions	On/Off ; dimmable
Cable	AWM style 20233 2xAWG18 (Red;Black) Ø 5,2 mm L. 1 m.
Weigth	1500 g/m
Installations	Surface mounted (steps)
Norms	60598-1 ; 60598-2 and its parts



NOTE:

Power supplies, control&dimming devices and fixing kits must to be orderd separately. Aldabra power supply consumption is equal to 15% of the fixture nominal power. Photometric data available at www.aldabra.it

TRACCIA Monochromatic DATA-SHEET

GENERAL FEATURES:

		power (W)	length (mm)	pitch (mm)
TRA.01.XXXXX.X	Light UP	18	1000	5
TRA.02.XXXXX.X	Light UP	27	1500	5
TRA.03.XXXXX.X	Light UP	36	2000	5
TRA.04.XXXXX.X	Light DOWN	18	1000	5
TRA.05.XXXXX.X	Light DOWN	27	1500	5
TRA.06.XXXXX.X	Light DOWN	36	2000	5

OPTICAL FEATURES:

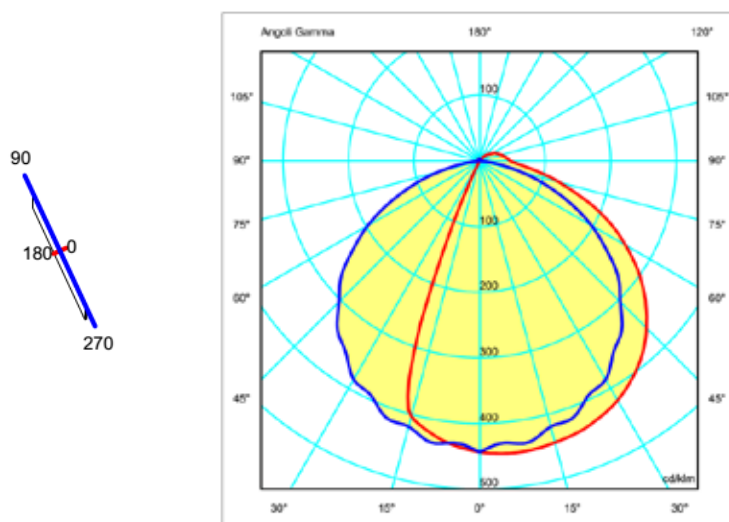
TRA.XX.TXXXX.X	Transparent diffuser 88°
TRA.XX.DXXXX.X	Opal diffuser 88°

LED FEATURES:

	Mid-Power LED	lm/W	Ra	Chromatic selection
TRA.XX.X37XX.X	3700K neutral white	160	>80	MacAdam 3-step

FINISHES FEATURES:

TRA.XX.XXXA1.X	Anodized aluminium
----------------	--------------------



GENERAL INFORMATIONS:

Kindly note that atmospheric agents (such as lightnings, etc) , electrostatics charges or disturbances on the installation not caused by Aldabra lighting fixtures and Led drivers indicated by Aldabra itself, may cause damages on the fixtures. It is necessary that the electrical installation where the LED lighting fittings and their power supply units and control gears are installed must be equipped with proper devices for the protection and suppression of transient phenomena (SPD, isolation transformer, etc...). Such devices must be coordinated with the other protections of the installation; on this theme, it's necessary to refer to the electrical installations norms which are in force in each country.

Product code	Code	Release date	Product	Power	Supply	CCT	Optics	lux (lm) *tj=25 **	Fixture Flux (lm)
TRA.04.D37A1.0	TRA.04.D37A1.0	2/12	Traccia	18W	24V	3700 K	Opal diffuser	2200,00*	393,01
TRA.05.D37A1.0	TRA.05.D37A1.0	2/12	Traccia	27W	24V	3700 K	Opal diffuser	4400,00*	589,51
TRA.06.D37A1.0	TRA.06.D37A1.0	2/12	Traccia	36W	24V	3700 K	Opal diffuser	6600,00*	786,02