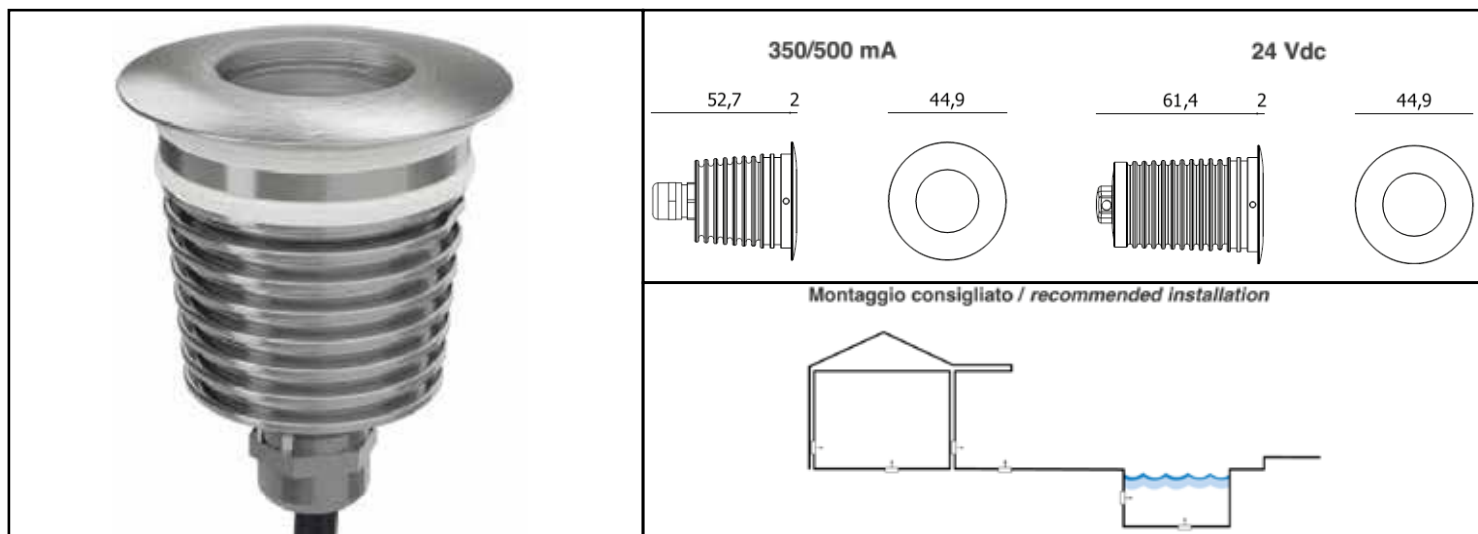


YOR Monochromatic DATA-SHEET



PRODUCT DESCRIPTION:

Recessed professional fixed fixture suitable for indoor, outdoor and underwater settings. Body stainless steel AISI 316L and tempered transparent or satin flat glass. All the materials are suitable for use in swimming pools, fountains and with salt water. UV resistance of all materials.

TECHNICALS FEATURES:

Materials	Stainless steel inox AISI 316L ; tempered transparent or satin flat glass
Front Finishes	Satin stainless steel inox Aisi 316 L
Power Supply	350-500mA or 24 Vdc constant voltage
Power	1 W @350 mA - 1,5 W @500 mA - 2 W @24 Vdc
Light Source	Power LED LM 80 COMPLIANT
Color Temperature	2700 K ; 3000K ; 4000K
Ra	> 80
Chromatic Selection	Mac-Adam 2-step
Lifetime	> 50000 h (TM21 L80 B10 @50000h)
Optics	Honeycomb 8° ; narrow beam 9° ; medium beam 24° ; wide beam 43° ; transparent diffuser 111° ; satin diffuser 97°
Tc metal body	< 90 °C
Ta operating temperature	- 30 ÷ 50 °C
Ts surface temperature	≤ 65 °C
Functions	On/Off ; dimmable
Cable	350/500 mA: AWM style 20233 2xAWG18 (Red;Black) Ø 5,2 L. 0,5 m. 24 Vdc: AWM style 20233 2xAWG18 (Red;Black)+1xAWG20 (Violet) Ø 6,2 L. 1m.
Weigth	235 g
Installations	Recessed (wall, floor); immersion
Norms	60598-1 ; 60598-2 and its parts



NOTE:

Power supplies, control&dimming devices and fixing kits must to be orderd separately. Aldabra power supply consumption is equal to 15% of the fixture nominal power. Photometric data available at www.aldabra.it

YOR Monochromatic DATA-SHEET

GENERAL FEATURES:

	power(W) @350 mA	power(W) @500 mA	power(W) @24 Vdc
YOR.01.XXXXX.X	1	1,5	
YOR.02.XXXXX.X			2

OPTICAL FEATURES:

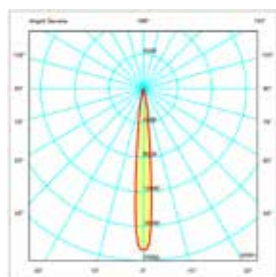
YOR.XX.HXXXX.X	Honeycomb 8°
YOR.XX.MXXXX.X	Narrow beam 9°
YOR.XX.FXXXX.X	Medium beam 24°
YOR.XX.WXXXX.X	Wide beam 43°
YOR.XX.TXXXX.X	Transparent diffuser 111°
YOR.XX.SXXXX.X	Satin diffuser 97°

LED FEATURES:

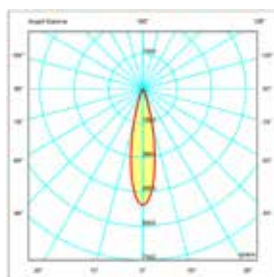
	Power LED	lm/W	Ra	Chromatic selection
YOR.XX.X27XX.X	2700K warm white	105	>80	MacAdam 2-step
YOR.XX.X30XX.X	3000K warm white	118	>80	MacAdam 2-step
YOR.XX.X40XX.X	4000K neutral white	130	>80	MacAdam 2-step

FINISHES FEATURES:

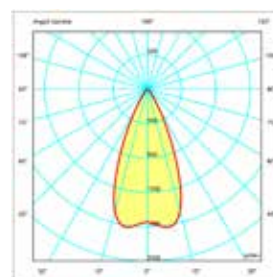
YOR.XX.XXXS1.X	Satin stainless steel
-----------------------	-----------------------



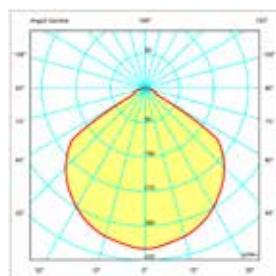
narrow beam 9°



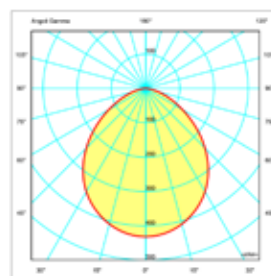
medium beam 24°



wide beam 43°



transparent diffuser 111°



satin diffuser 97°

GENERAL INFORMATIONS:

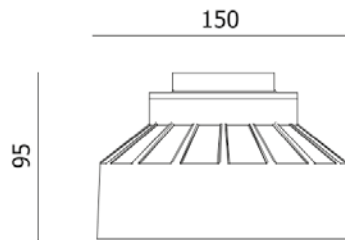
Kindly note that atmospheric agents (such as lightnings, etc) , electrostatics charges or disturbances on the installation not caused by Aldabra lighting fixtures and Led drivers indicated by Aldabra itself, may cause damages on the fixtures. It is necessary that the electrical installation where the LED lighting fittings and their power supply units and control gears are installed must be equipped with proper devices for the protection and suppression of transient phenomena (SPD, isolation transformer, etc...). Such devices must be coordinated with the other protections of the installation; on this theme, it's necessary to refer to the electrical installations norms which are in force in each country.

YOR Monochromatic DATA-SHEET

RECESSING BOXES:

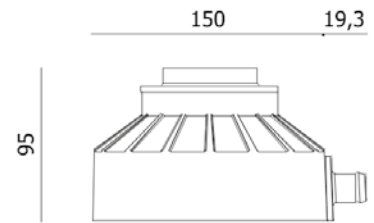
CSF.0035.0

draining housing box



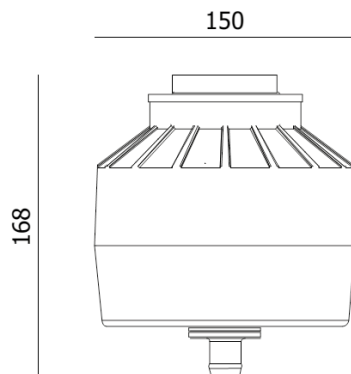
CSF.0037.0

housing box h. 95 mm



CSF.0036.0

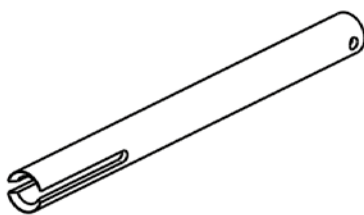
housing box for IP68 h. 168 mm



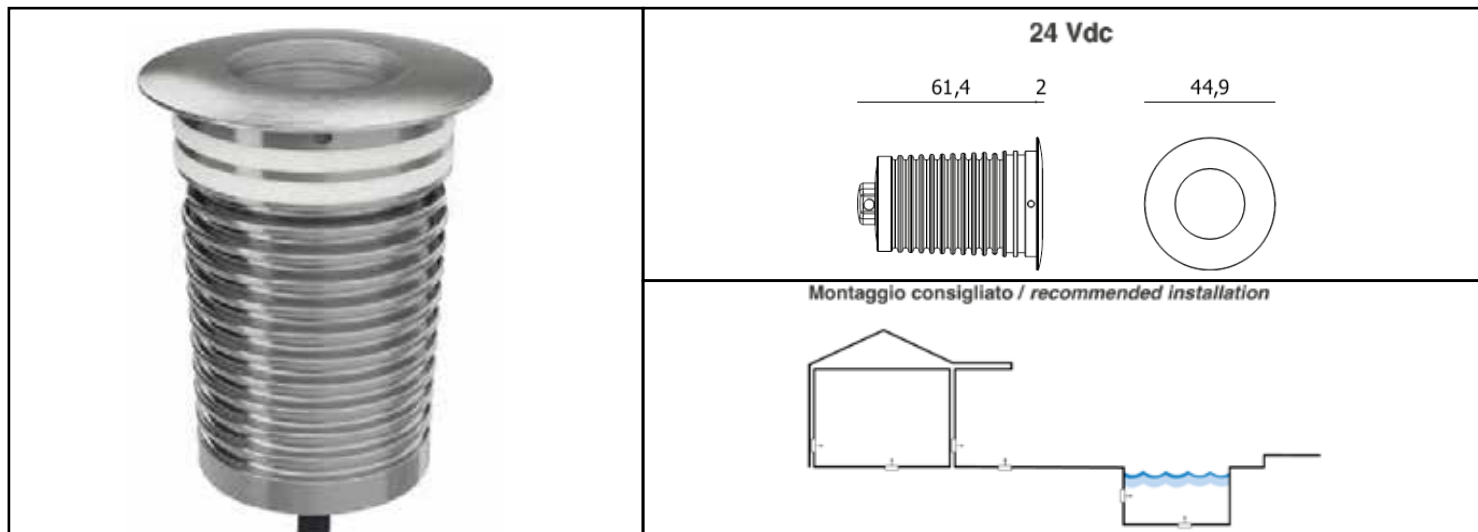
ACCESSORIES:

ACC.0268.0

PG closing tool for IP68 recessing box



YOR RGB DATA-SHEET



PRODUCT DESCRIPTION:

Professional drive-over recessed fixture suitable for indoor, outdoor and underwater settings. Body stainless steel AISI 316L and tempered transparent or satin flat glass. All the materials are suitable for use in swimming pools, fountains and with salt water. UV resistance of all materials.

TECHNICALS FEATURES:

Materials	Stainless steel AISI 316L ; tempered transparent or satin flat glass
Front Finishes	Satin stainless steel inox Aisi 316 L
Power Supply	24 Vdc constant voltage
Power	4W
Light Source	Power LED LM 80 COMPLIANT
Dominant Wavelength	R=622nm, G=530nm, B=470nm
Lifetime	> 50000 h (TM21 L80 B10 @50000h)
Optics	Wide beam 45° ; transparent diffuser 111° ; opale diffuser 97°
Tc metal body	< 90 °C
Ta operating temperature	- 30 ÷ 50 °C
Ts surface temperature	≤ 65 °C
Functions	On/Off ; dimmable
Cable	AWM style 20233 2xAWG18 (Red;Black)+3xAWG20 (R/N, G/N, B/N) L. 1m.
Weigth	260 g
Installations	Recessed (wall, floor); immersion
Norms	60598-1 ; 60598-2 and its parts



NOTE:

Power supplies, control&dimming devices and fixing kits must to be orderd separately. Aldabra power supply consumption is equal to 15% of the fixture nominal power. Photometric data available at www.aldabra.it

YOR RGB DATA-SHEET

GENERAL FEATURES:

	power
YOR.02.XXXXX.X	4W

OPTICAL FEATURES:

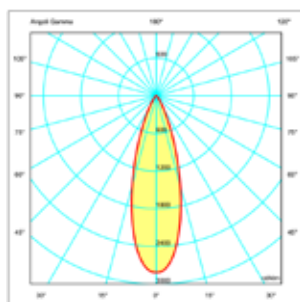
YOR.XX.WXXXX.X	Wide beam 45°
YOR.XX.TXXXX.X	Transparent diffuser 111°
YOR.XX.SXXXX.X	Satin diffuser 97°

LED FEATURES:

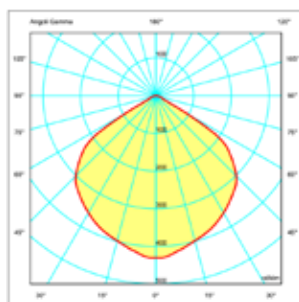
	Power LED
YOR.XX.X90XX.X	R, G, B

FINISHES FEATURES:

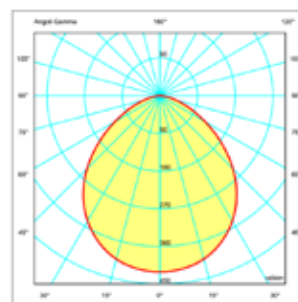
YOR.XX.XXXS1.X	Satin stainless steel
----------------	-----------------------



wide beam 45°



transparent diffuser 111°



satin diffuser 97°

GENERAL INFORMATIONS:

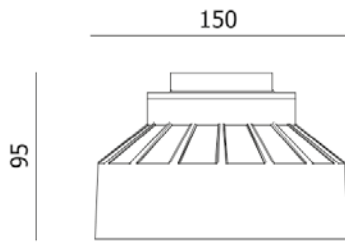
Kindly note that atmospheric agents (such as lightnings, etc) , electrostatics charges or disturbances on the installation not caused by Aldabra lighting fixtures and Led drivers indicated by Aldabra itself, may cause damages on the fixtures. It is necessary that the electrical installation where the LED lighting fittings and their power supply units and control gears are installed must be equipped with proper devices for the protection and suppression of transient phenomena (SPD, isolation transformer, etc...). Such devices must to be coordinated with the other protections of the installation; on this theme, it's necessary to refer to the electrical installations norms which are in force in each country.

YOR RGB DATA-SHEET

RECESSING BOXES:

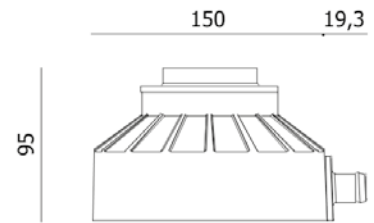
CSF.0035.0

draining housing box



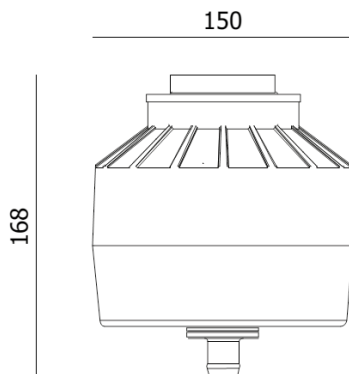
CSF.0037.0

housing box h. 95 mm



CSF.0036.0

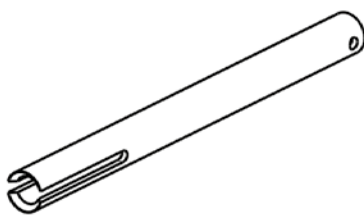
housing box for IP68 h. 168 mm



ACCESSORIES:

ACC.0268.0

PG closing tool for IP68 recessing box



Product code	Code	Release date	Product	Power	Supply	CCT	Optics	lux (lm) *tj=25 **t	Fixture Flux (lm)
YOR.02.H27S1.0	YOR.02.H27S1.0	18/12	Yor	2W	24V	2700 K	Honeycomb	153,75**	105,27
YOR.02.H30S1.0	YOR.02.H30S1.0	18/12	Yor	2W	24V	3000 K	Honeycomb	161,25**	107,97
YOR.02.H40S1.0	YOR.02.H40S1.0	18/12	Yor	2W	24V	4000 K	Honeycomb	176,25**	112,07
YOR.01.F27S1.0	YOR.01.F27S1.0 350mA	18/12	Yor	1W	350 mA	2700 K	Lens 24°	114,80**	94,80
YOR.01.F27S1.0	YOR.01.F27S1.0 500mA	18/12	Yor	1,5W	500 mA	2700 K	Lens 24°	153,75**	130,29
YOR.01.F30S1.0	YOR.01.F30S1.0 350mA	18/12	Yor	1W	350 mA	3000 K	Lens 24°	120,40**	97,24
YOR.01.F30S1.0	YOR.01.F30S1.0 500mA	18/12	Yor	1,5W	500 mA	3000 K	Lens 24°	161,25**	133,64
YOR.01.F40S1.0	YOR.01.F40S1.0 350mA	18/12	Yor	1W	350 mA	4000 K	Lens 24°	131,60**	100,93
YOR.01.F40S1.0	YOR.01.F40S1.0 500mA	18/12	Yor	1,5W	500 mA	4000 K	Lens 24°	176,25**	138,71
YOR.02.F27S1.0	YOR.02.F27S1.0	18/12	Yor	2W	24V	2700 K	Lens 24°	153,75**	130,29
YOR.02.F30S1.0	YOR.02.F30S1.0	18/12	Yor	2W	24V	3000 K	Lens 24°	161,25**	133,64
YOR.02.F40S1.0	YOR.02.F40S1.0	18/12	Yor	2W	24V	4000 K	Lens 24°	176,25**	138,71
YOR.01.W27S1.0	YOR.01.W27S1.0 350mA	18/12	Yor	1W	350 mA	2700 K	Lens 43°	114,80**	95,72
YOR.01.W27S1.0	YOR.01.W27S1.0 500mA	18/12	Yor	1,5W	500 mA	2700 K	Lens 43°	153,75**	131,56
YOR.01.W30S1.0	YOR.01.W30S1.0 350mA	18/12	Yor	1W	350 mA	3000 K	Lens 43°	120,40**	98,19
YOR.01.W30S1.0	YOR.01.W30S1.0 500mA	18/12	Yor	1,5W	500 mA	3000 K	Lens 43°	161,25**	134,95
YOR.01.W40S1.0	YOR.01.W40S1.0 350mA	18/12	Yor	1W	350 mA	4000 K	Lens 43°	131,60**	101,91
YOR.01.W40S1.0	YOR.01.W40S1.0 500mA	18/12	Yor	1,5W	500 mA	4000 K	Lens 43°	176,25**	140,07
YOR.02.W27S1.0	YOR.02.W27S1.0	18/12	Yor	2W	24V	2700 K	Lens 43°	153,75**	131,56
YOR.02.W30S1.0	YOR.02.W30S1.0	18/12	Yor	2W	24V	3000 K	Lens 43°	161,25**	134,95
YOR.02.W40S1.0	YOR.02.W40S1.0	18/12	Yor	2W	24V	4000 K	Lens 43°	176,25**	140,07
YOR.02.W90S1.0	YOR.02.W90S1.0	18/12	Yor	4W	24V	RGB	Lens 45°	105,00*	53,19
YOR.02.W90S1.0	YOR.02.W90S1.0 R	18/12	Yor	1W	24V	RGB (Rosso)	Lens 45°	35,00*	19,04
YOR.02.W90S1.0	YOR.02.W90S1.0 G	18/12	Yor	1W	24V	RGB (Verde)	Lens 45°	57,00*	39,08
YOR.02.W90S1.0	YOR.02.W90S1.0 B	18/12	Yor	1W	24V	RGB (Blu)	Lens 45°	13,00*	7,17
YOR.01.M27S1.0	YOR.01.M27S1.0 350mA	18/12	Yor	1W	350 mA	2700 K	Lens 9°	114,80**	99,09
YOR.01.M27S1.0	YOR.01.M27S1.0 500mA	18/12	Yor	1,5W	500 mA	2700 K	Lens 9°	153,75**	136,19
YOR.01.M30S1.0	YOR.01.M30S1.0 350mA	18/12	Yor	1W	350 mA	3000 K	Lens 9°	120,40**	101,64
YOR.01.M30S1.0	YOR.01.M30S1.0 500mA	18/12	Yor	1,5W	500 mA	3000 K	Lens 9°	161,25**	139,69
YOR.01.M40S1.0	YOR.01.M40S1.0 350mA	18/12	Yor	1W	350 mA	4000 K	Lens 9°	131,60**	105,49
YOR.01.M40S1.0	YOR.01.M40S1.0 500mA	18/12	Yor	1,5W	500 mA	4000 K	Lens 9°	176,25**	144,99
YOR.02.M27S1.0	YOR.02.M27S1.0	18/12	Yor	2W	24V	2700 K	Lens 9°	153,75**	136,19
YOR.02.M30S1.0	YOR.02.M30S1.0	18/12	Yor	2W	24V	3000 K	Lens 9°	161,25**	139,69
YOR.02.M40S1.0	YOR.02.M40S1.0	18/12	Yor	2W	24V	4000 K	Lens 9°	176,25**	144,99
YOR.01.S27S1.0	YOR.01.S27S1.0 350mA	18/12	Yor	1W	350 mA	2700 K	Satin Glass	114,80**	72,20
YOR.01.S27S1.0	YOR.01.S27S1.0 500mA	18/12	Yor	1,5W	500 mA	2700 K	Satin Glass	153,75**	99,23
YOR.01.S30S1.0	YOR.01.S30S1.0 350mA	18/12	Yor	1W	350 mA	3000 K	Satin Glass	120,40**	74,09
YOR.01.S30S1.0	YOR.01.S30S1.0 500mA	18/12	Yor	1,5W	500 mA	3000 K	Satin Glass	161,25**	101,83
YOR.01.S40S1.0	YOR.01.S40S1.0 350mA	18/12	Yor	1W	350 mA	4000 K	Satin Glass	131,60**	76,95
YOR.01.S40S1.0	YOR.01.S40S1.0 500mA	18/12	Yor	1,5W	500 mA	4000 K	Satin Glass	176,25**	105,76
YOR.02.S27S1.0	YOR.02.S27S1.0	18/12	Yor	2W	24V	2700 K	Satin Glass	153,75**	99,23
YOR.02.S30S1.0	YOR.02.S30S1.0	18/12	Yor	2W	24V	3000 K	Satin Glass	161,25**	101,83
YOR.02.S40S1.0	YOR.02.S40S1.0	18/12	Yor	2W	24V	4000 K	Satin Glass	176,25**	105,76
YOR.02.S90S1.0	YOR.02.S90S1.0	18/12	Yor	4W	24V	RGB	Satin Glass	105,00*	44,71
YOR.02.S90S1.0	YOR.02.S90S1.0 R	18/12	Yor	1W	24V	RGB (Rosso)	Satin Glass	35,00*	15,34
YOR.02.S90S1.0	YOR.02.S90S1.0 G	18/12	Yor	1W	24V	RGB (Verde)	Satin Glass	57,00*	31,49
YOR.02.S90S1.0	YOR.02.S90S1.0 B	18/12	Yor	1W	24V	RGB (Blu)	Satin Glass	13,00*	5,78
YOR.01.T27S1.0	YOR.01.T27S1.0 350mA	18/12	Yor	1W	350 mA	2700 K	Trasparent Glass	114,80**	85,03
YOR.01.T27S1.0	YOR.01.T27S1.0 500mA	18/12	Yor	1,5W	500 mA	2700 K	Trasparent Glass	153,75**	116,87
YOR.01.T30S1.0	YOR.01.T30S1.0 350mA	18/12	Yor	1W	350 mA	3000 K	Trasparent Glass	120,40**	87,26
YOR.01.T30S1.0	YOR.01.T30S1.0 500mA	18/12	Yor	1,5W	500 mA	3000 K	Trasparent Glass	161,25**	119,93
YOR.01.T40S1.0	YOR.01.T40S1.0 350mA	18/12	Yor	1W	350 mA	4000 K	Trasparent Glass	131,60**	90,63
YOR.01.T40S1.0	YOR.01.T40S1.0 500mA	18/12	Yor	1,5W	500 mA	4000 K	Trasparent Glass	176,25**	124,56
YOR.02.T27S1.0	YOR.02.T27S1.0	18/12	Yor	2W	24V	2700 K	Trasparent Glass	153,75**	116,87
YOR.02.T30S1.0	YOR.02.T30S1.0	18/12	Yor	2W	24V	3000 K	Trasparent Glass	161,25**	119,93
YOR.02.T40S1.0	YOR.02.T40S1.0	18/12	Yor	2W	24V	4000 K	Trasparent Glass	176,25**	124,56
YOR.02.T90S1.0	YOR.02.T90S1.0	18/12	Yor	4W	24V	RGB	Trasparent Glass	105,00*	53,48
YOR.02.T90S1.0	YOR.02.T90S1.0 R	18/12	Yor	1W	24V	RGB (Rosso)	Trasparent Glass	35,00*	19,58
YOR.02.T90S1.0	YOR.02.T90S1.0 G	18/12	Yor	1W	24V	RGB (Verde)	Trasparent Glass	57,00*	40,19
YOR.02.T90S1.0	YOR.02.T90S1.0 B	18/12	Yor	1W	24V	RGB (Blu)	Trasparent Glass	13,00*	7,37