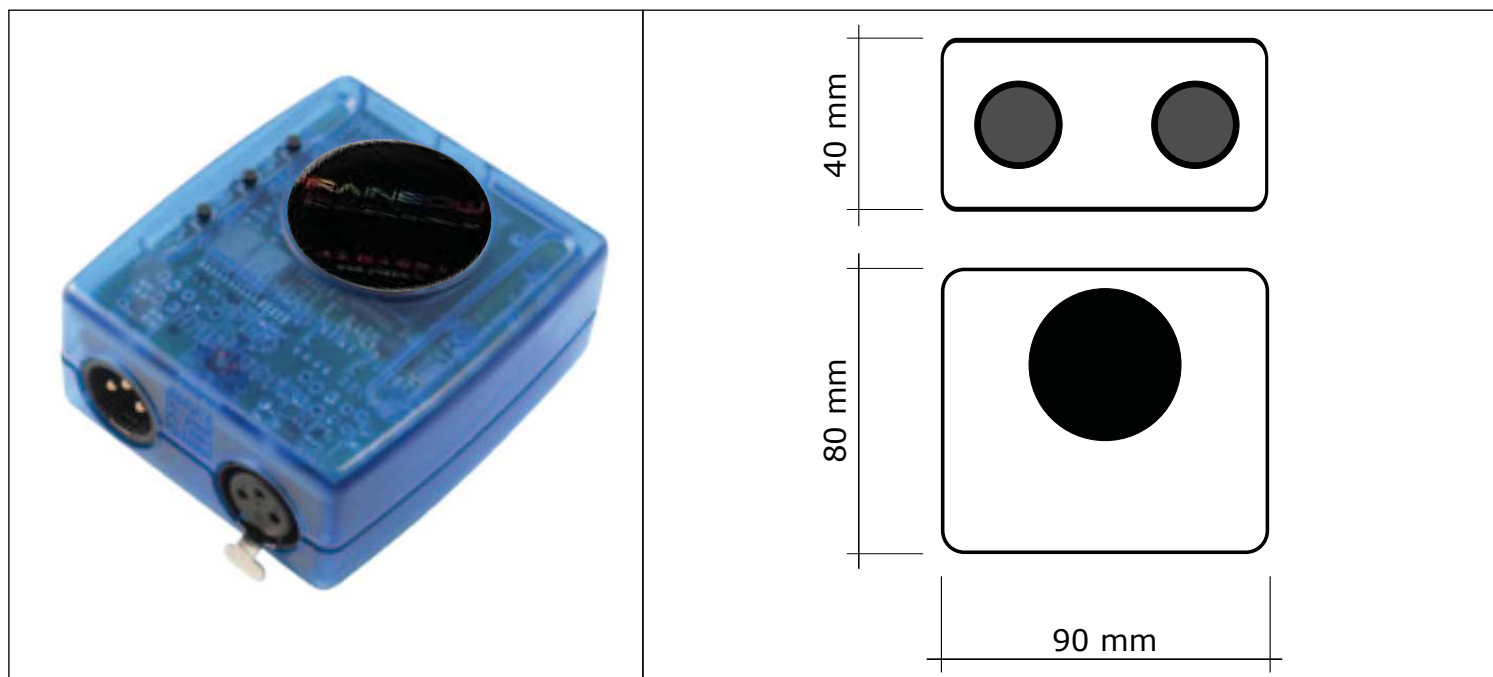


ECG.0001.0
DATA-SHEET



PRODUCT DESCRIPTION:

Rainbow DMX control gear USB version offers the best suitable controller for DMX lighting.

TECHNICALS FEATURES:

power supply	USB mini connector ; plug&play power supply 110-240Vac 50/60Hz via USB
output signal	DMX 512
working temperature	0 ÷ 50 °C
protection class	IP20
dimensions (LxWxH)	80x90x40 mm
weight	125g
package	AC/DC adapter, CDrom, USB cable
OS requirement	Mac OSx 10.6/10.7/10.8 - Windows XP/VISTA/SEVEN/8 32/64 bits and USB 2.0
buttons	2 buttons to change scene (previous/next) + 1 button to change dimmer

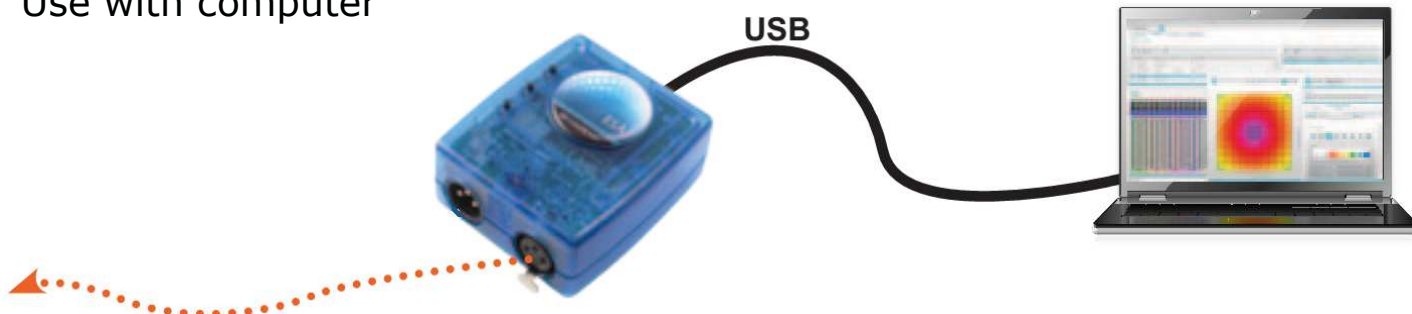
MAIN FEATURES

COMPUTER: USB connection
STAND ALONE: 512 DMX channels, 255 scenes, 1 zone, stand Alone memory 64K

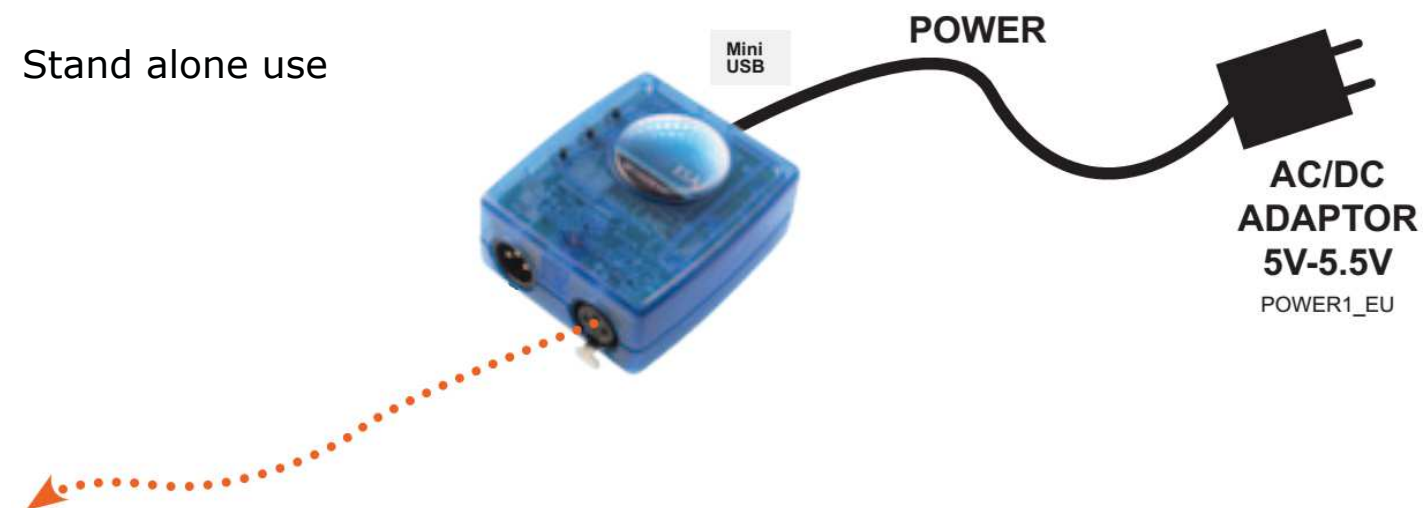


ECG.0001.0
DATA-SHEET

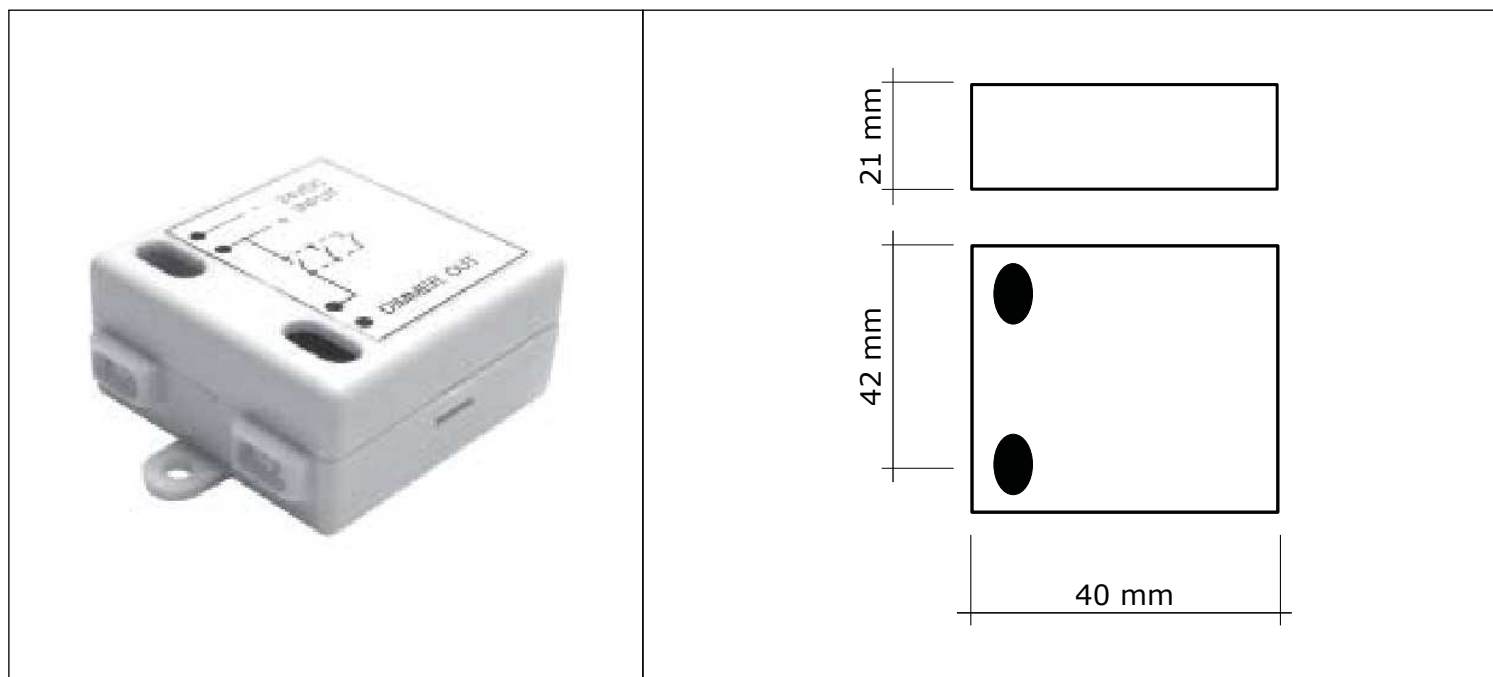
Use with computer



Stand alone use



ECG.0002.0
DATA-SHEET



PRODUCT DESCRIPTION:

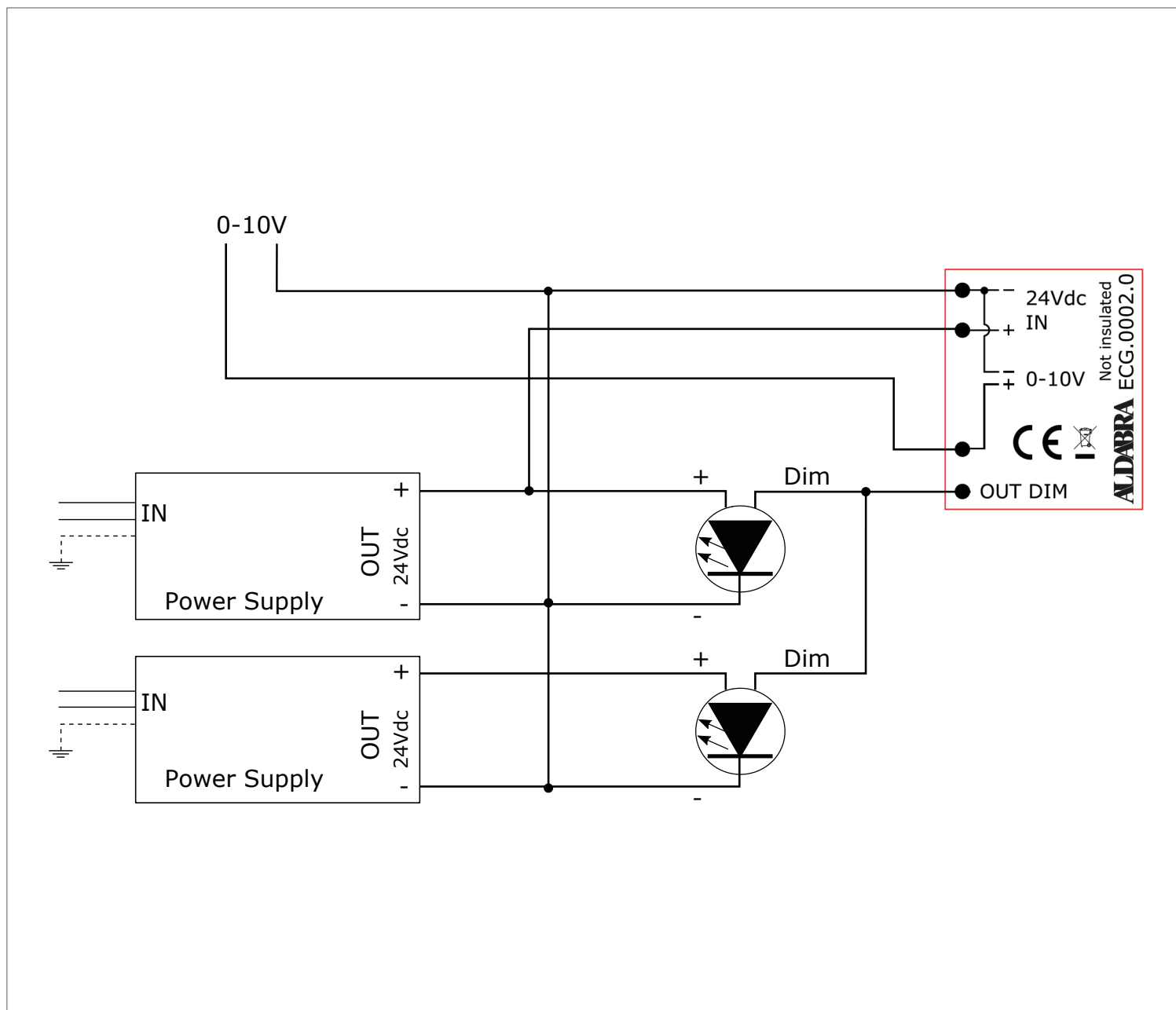
Dimmer for linear system, spot and downlights family.
This device is suitable for 24Vdc supply fixtures.

TECHNICALS FEATURES:

power supply	24 Vdc
max output current	1 channels max 1A
control input	0-10V
dimming range	0,1%-100%
working temperature	-20 ÷ 40 °C
expected lifetime	>100000h
protection class	IP20
max connecting wire cross section	1,5 mm ²
dimensions (LxWxH)	40x42x21 mm
weight	40g



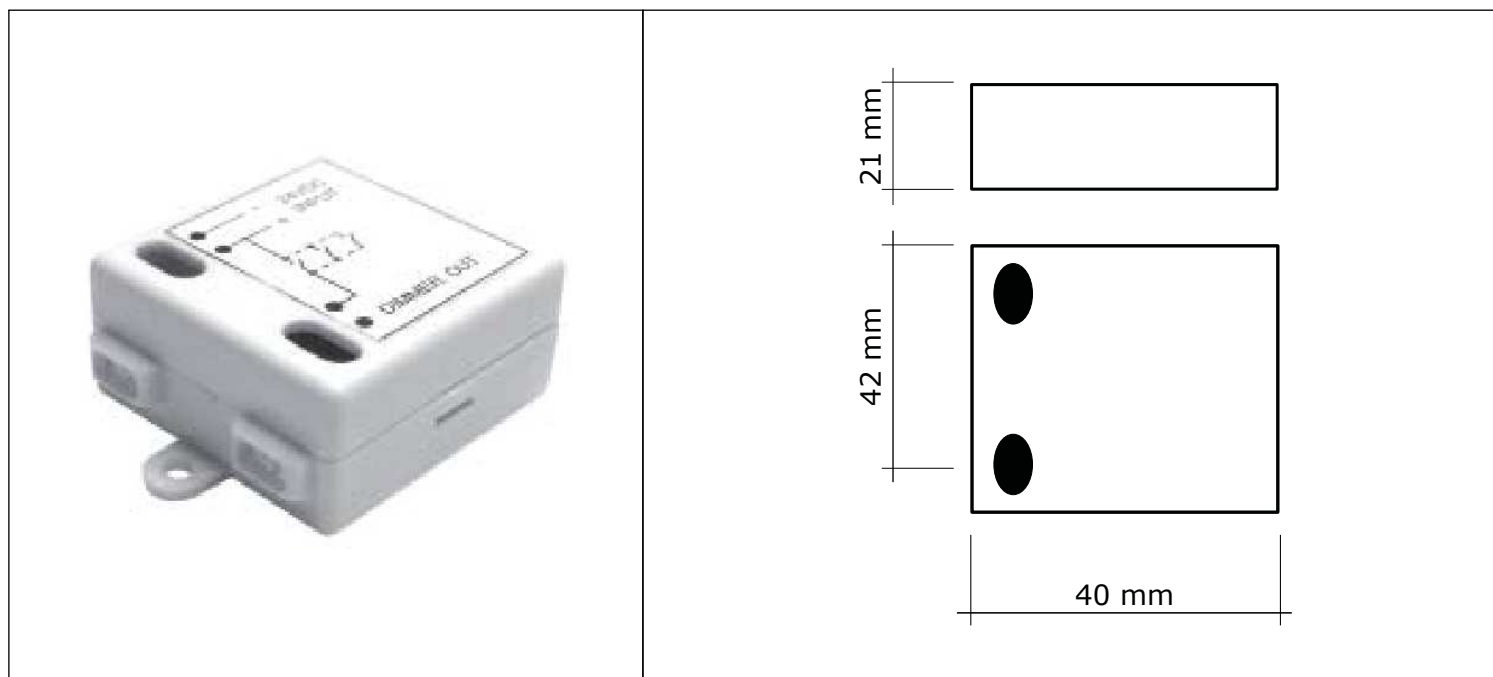
ECG.0002.0
DATA-SHEET



OPERATING MODE:

Can use a commercial active dimmer 0-10V or a control gear with output 0-10V double insulated from the mains.

ECG.0003.0
DATA-SHEET



PRODUCT DESCRIPTION:

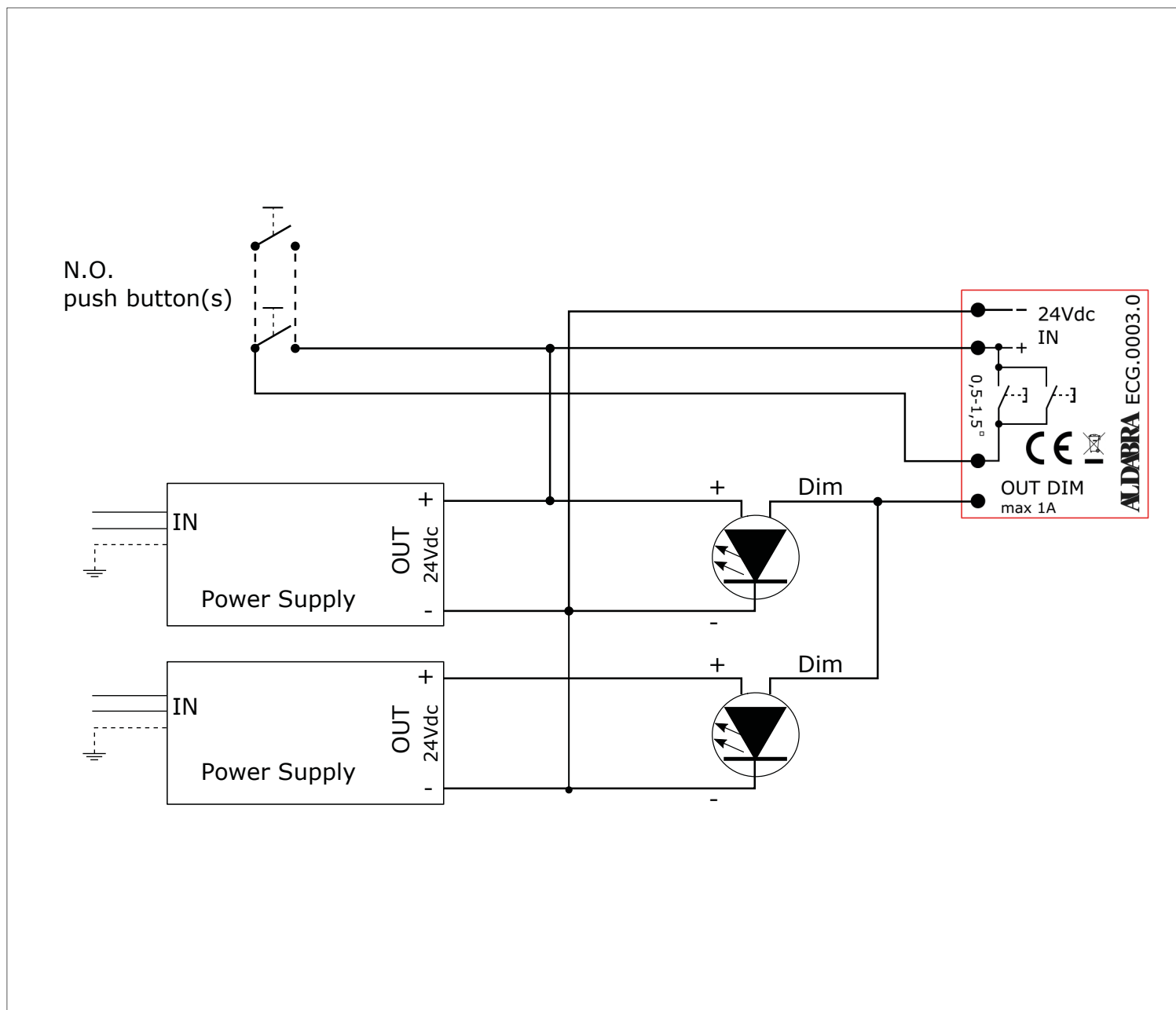
Dimmer for linear system, spot and downlights family.
This device is suitable for 24Vdc supply fixtures.

TECHNICALS FEATURES:

power supply	24 Vdc
max output current	1 channels max 1A
control input	Push button N/O
dimming range	0,1%-100%
working temperature	-20 ÷ 40 °C
expected lifetime	>100000h
protection class	IP20
max connecting wire cross section	1,5 mm ²
dimensions (LxWxH)	40x42x21 mm
weight	40g



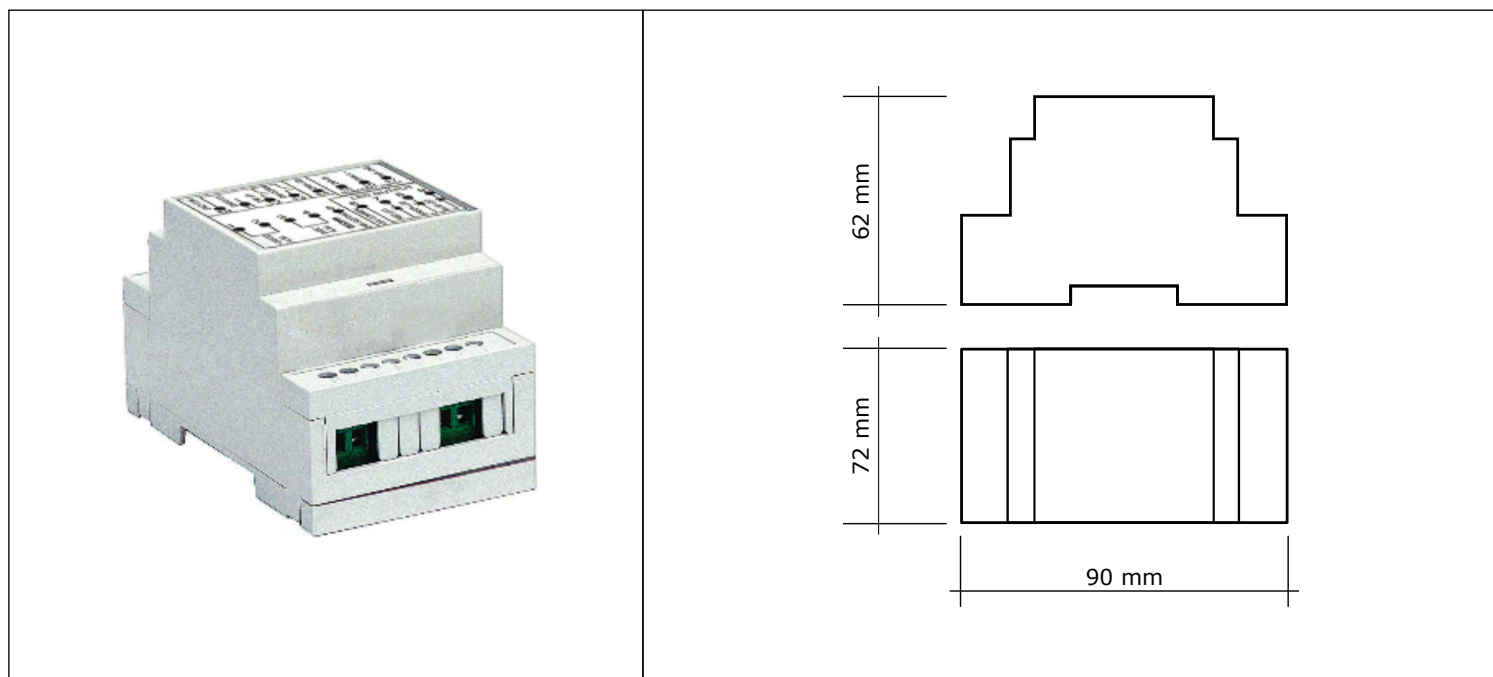
ECG.0003.0
DATA-SHEET



OPERATING MODE:

“Soft Start” for a smoothness ON and OFF of the light, parallel connection for normally open push buttons.
ON and OFF of the light by push function, press and hold for a fade in and out of the light.
Save of the light output level in case of black-out.

ECG.0005.0
DATA-SHEET



PRODUCT DESCRIPTION:

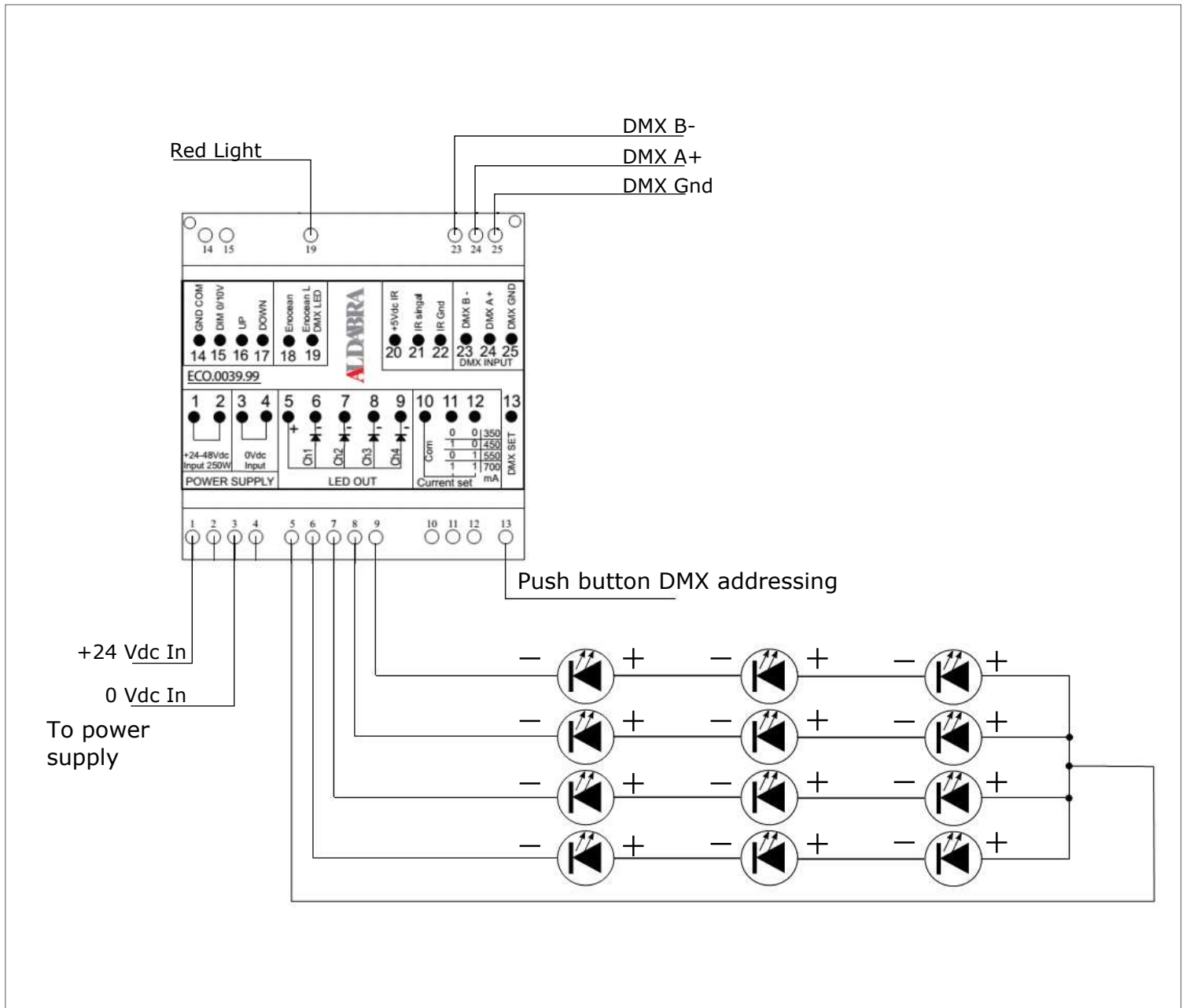
Dimmer for linear system, spot and downlights family.
This device is suitable for constant current 500mA supply fixtures.

TECHNICALS FEATURES:

power supply	24 Vdc
max output current	4 channels 350 mA each channel
max output power	30 W (max 7 LED each channel)
control input	DMX standard USITT512 (RDM 2.0 compatible) self learning, addressing mode
dimming range	0%-100%
working temperature	-10 ÷ 54 °C
max case temperature	65 °C
expected lifetime (at Tc<=75°C)	>100000h
protection class	IP20
max connecting wire cross section	1,5 mm ²
installation	DIN bar mounting
dimensions (LxWxH)	90x72x62 mm
weight	120g



ECG.0005.0
DATA-SHEET



OPERATING MODE:

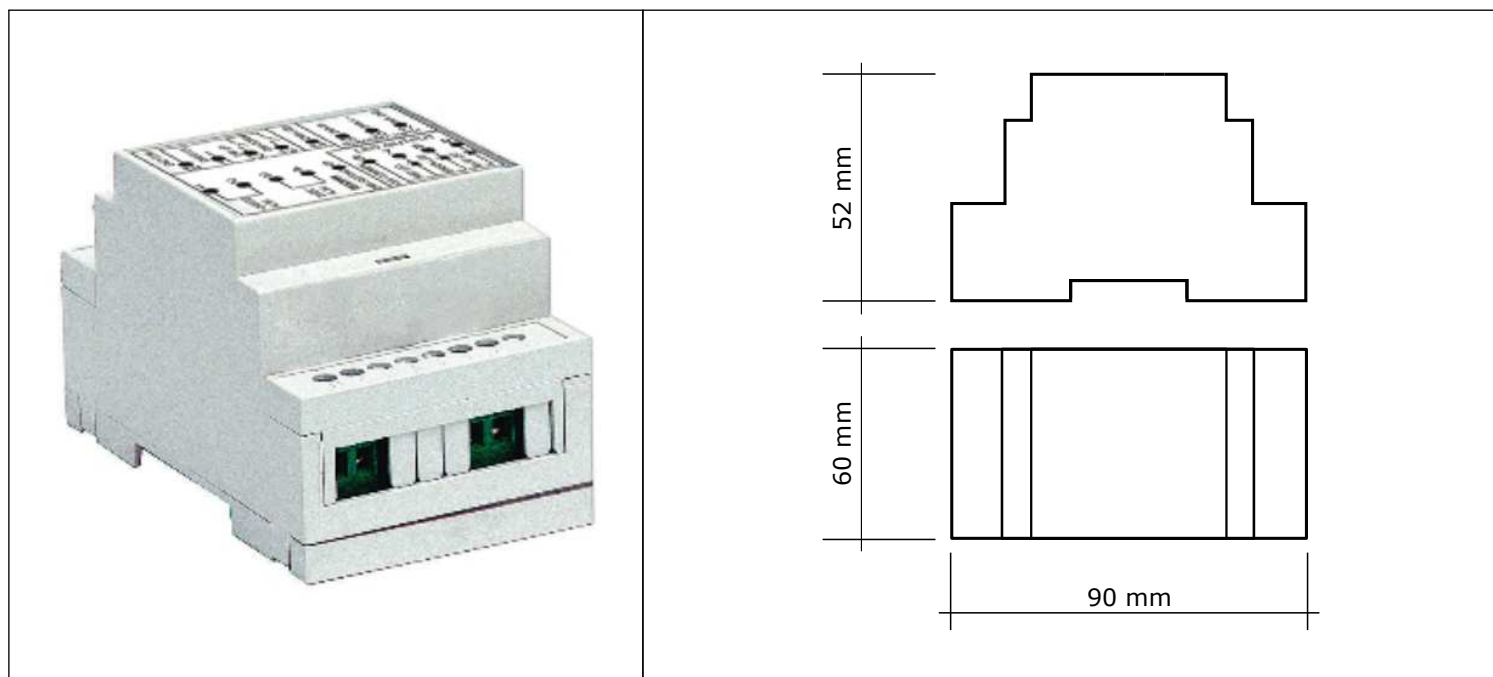
To set DMX address connect the DMX generator to wire A and B, red light in position 19 will blink correctly if DMX is connected.

Set DMX generator to the max value on the desired channel,(for example channel 6=255) then push and hold DMX set button on the box in connector position 13.

The red LED on board stay on 3 second then blink to indicate the setting is complete.

Be careful that the A and B wires are properly connected.

ECG.0006.0
DATA-SHEET



PRODUCT DESCRIPTION:

Dimmer for linear system, spot and downlights family.
This device is suitable for constant voltage supply fixtures.

TECHNICALS FEATURES:

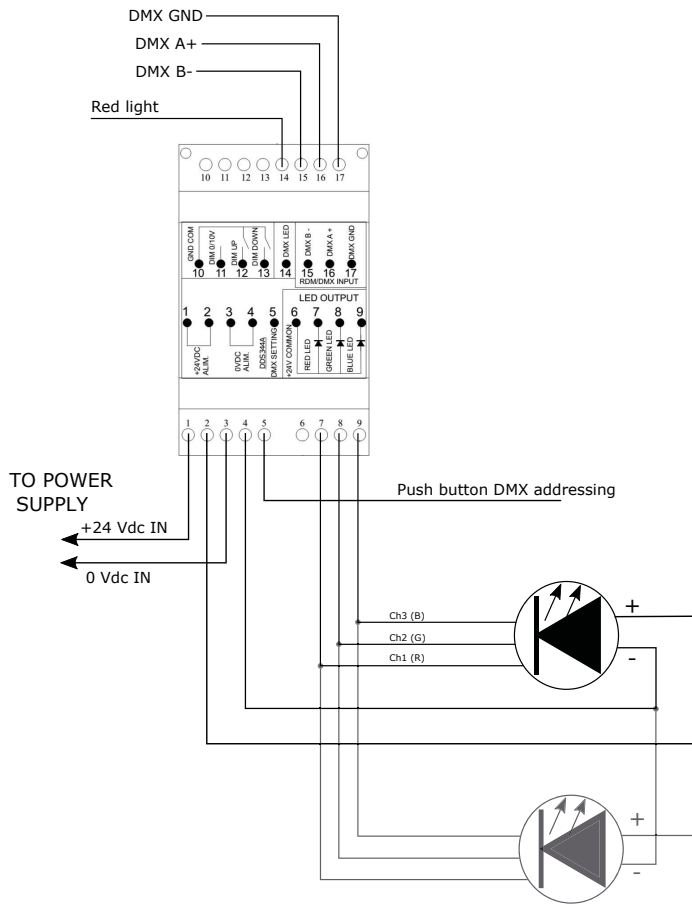
power supply	24 Vdc
max output current	3 channels 2 A each channel
max output power	144 W (max 48 W each channel)
control input	DMX standard USITT512 (RDM 2.0 compatible) self learning, addressing mode
dimming range	0%-100%
working temperature	-10 ÷ 54 °C
max case temperature	65 °C
expected lifetime (at Tc<=75°C)	>100000h
protection class	IP20
max connecting wire cross section	1,5 mm ²
installation	DIN bar mounting
dimensions (LxWxH)	90x60x52 mm
weight	100g



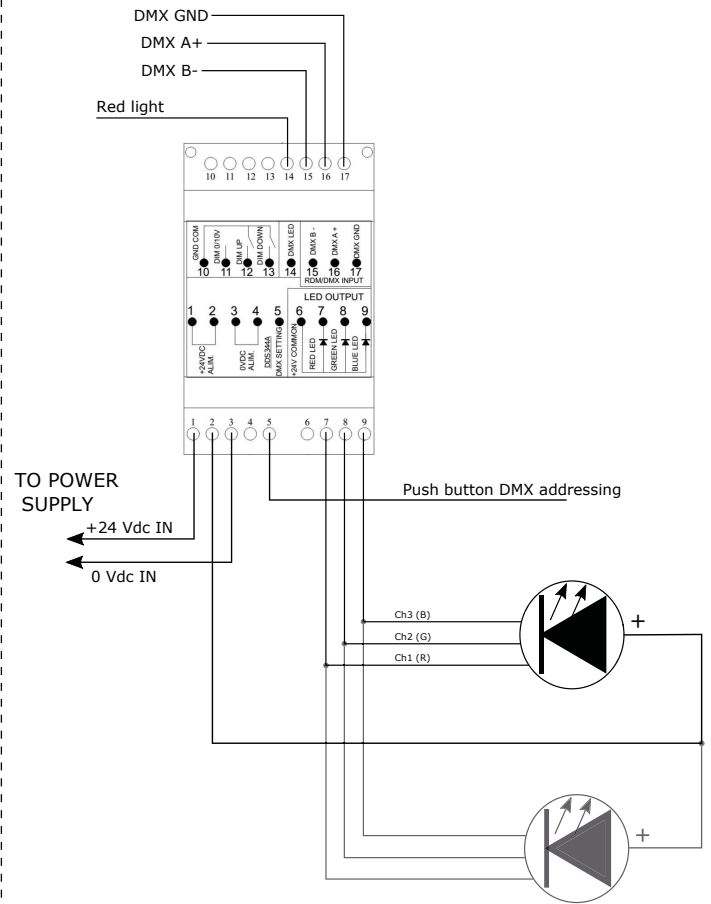
ECG.0006.0

DATA-SHEET

Fixtures with 5 cables



Fixtures with 4 cables



OPERATING MODE:

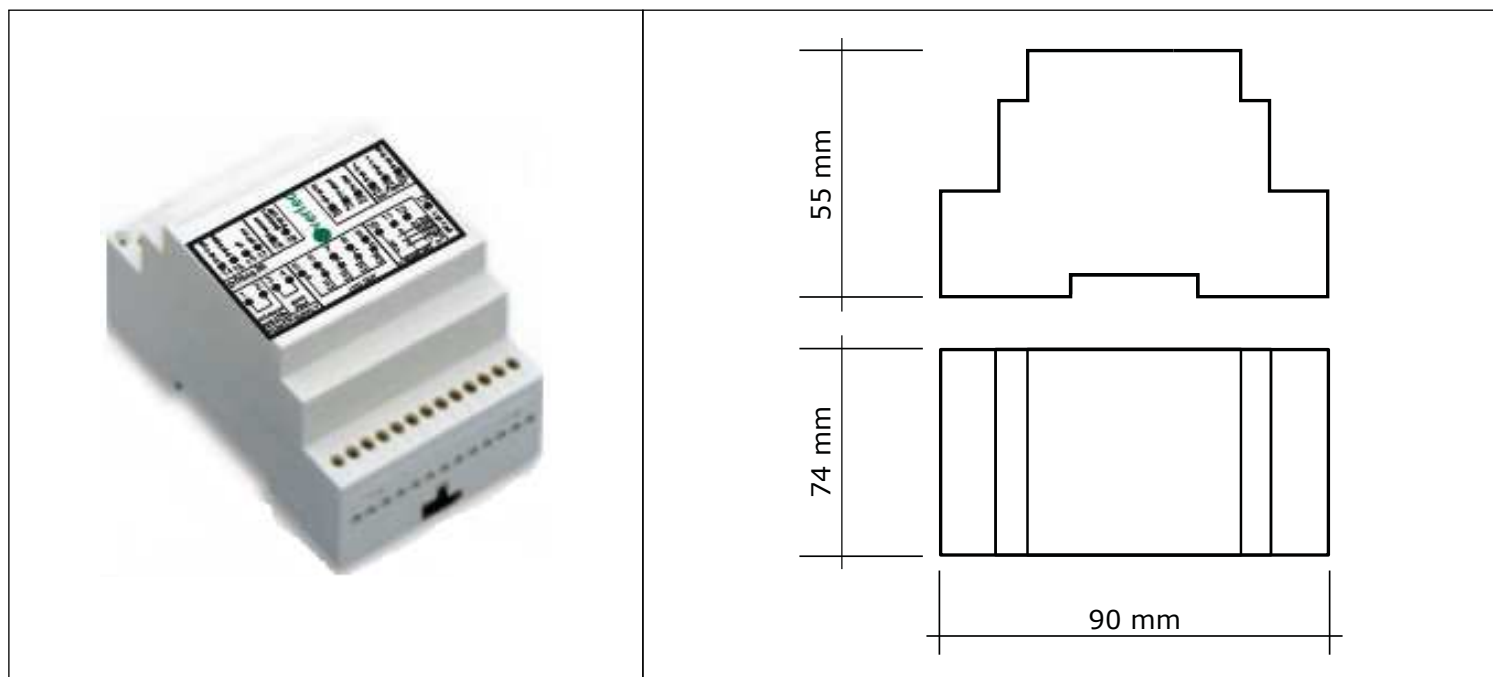
To set DMX address connect the DMX generator to wire A and B, red light in position 19 will blink correctly if DMX is connected.

Set DMX generator to the max value on the desired channel,(for example channel 6=255) then push and hold DMX set button on the box in connector position 13.

The red LED on board stay on 3 second then blink to indicate the setting is complete.

Be careful that the A and B wires are properly connected.

ECG.0007.0
DATA-SHEET



PRODUCT DESCRIPTION:

Dimmer for linear system, spot and downlights family.
This device is suitable for constant voltage supply fixtures.

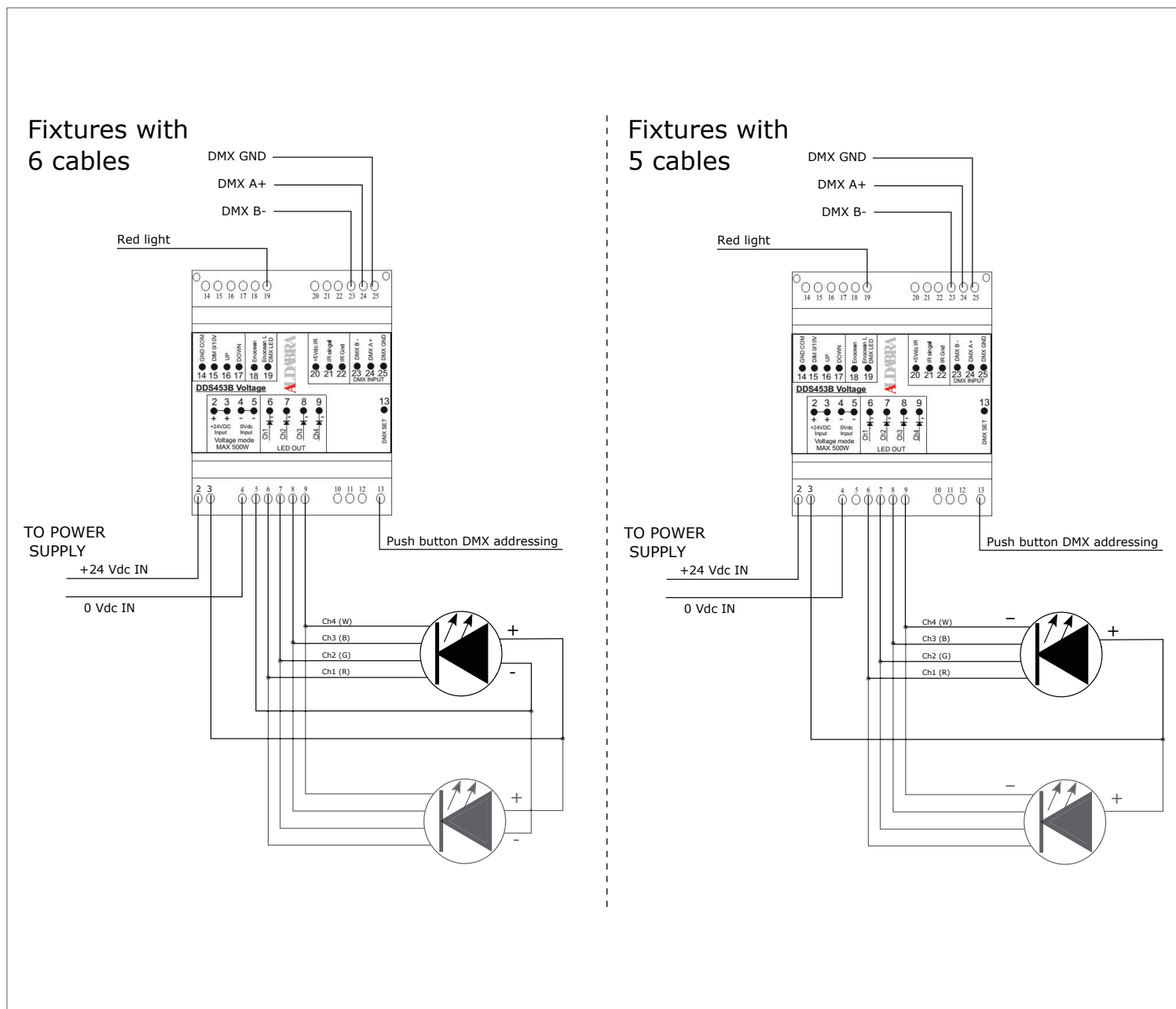
TECHNICALS FEATURES:

power supply	24 Vdc
max output current	4 channels 2 A each channel
max output power	192 W (max 48 W each channel)
control input	DMX standard USITT512 (RDM 2.0 compatible) self learning, addressing mode
dimming range	0%-100%
working temperature	-10 ÷ 54 °C
max case temperature	65 °C
expected lifetime (at Tc<=75°C)	>100000h
protection class	IP20
max connecting wire cross section	1,5 mm ²
installation	DIN bar mounting
dimensions (LxWxH)	90x74x55 mm
weight	140g



ECG.0007.0

DATA-SHEET



OPERATING MODE:

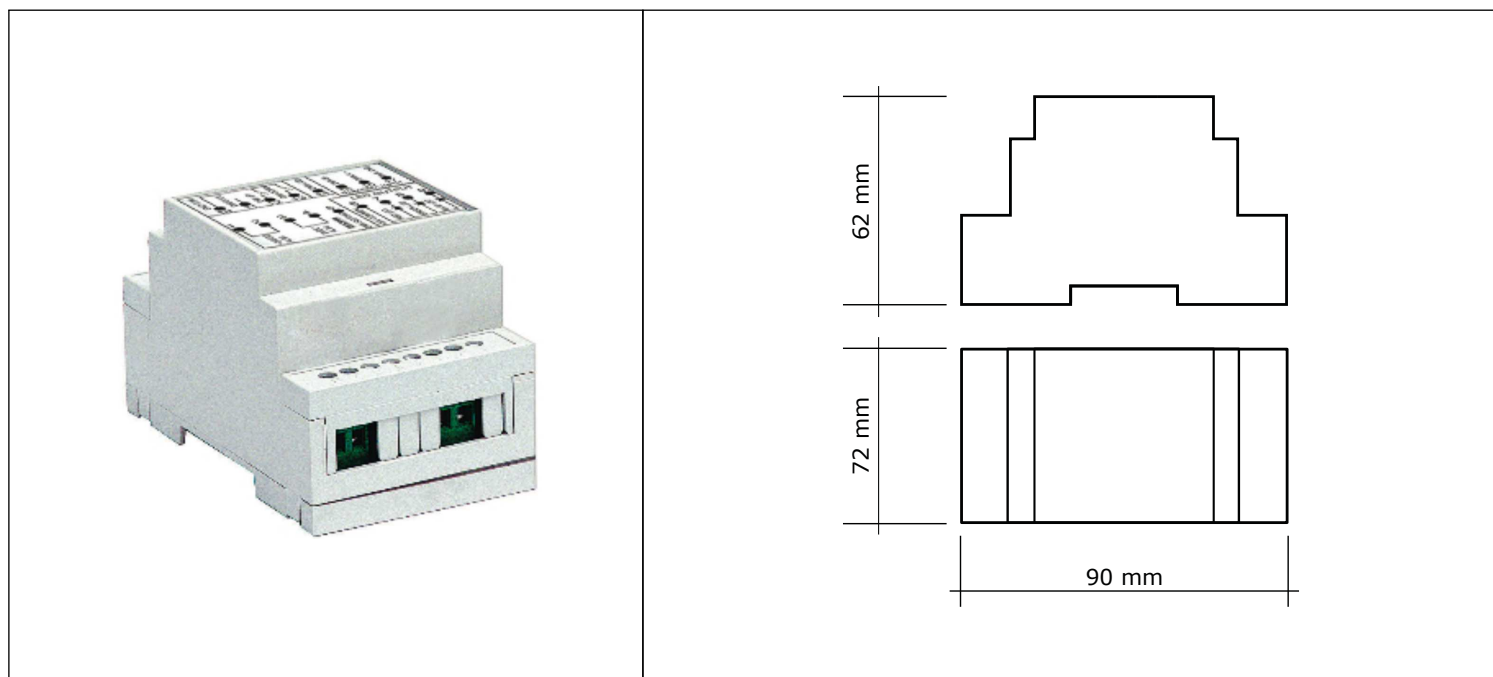
To set DMX address connect the DMX generator to wire A and B, red light in position 19 will blink correctly if DMX is connected.

Set DMX generator to the max value on the desired channel,(for example channel 6=255) then push and hold DMX set button on the box in connector position 13.

The red LED on board stay on 3 second then blink to indicate the setting is complete.

Be careful that the A and B wires are properly connected.

ECG.0008.0
DATA-SHEET



PRODUCT DESCRIPTION:

Dimmer for linear system, spot and downlights family.
This device is suitable for constant current 500mA supply fixtures.

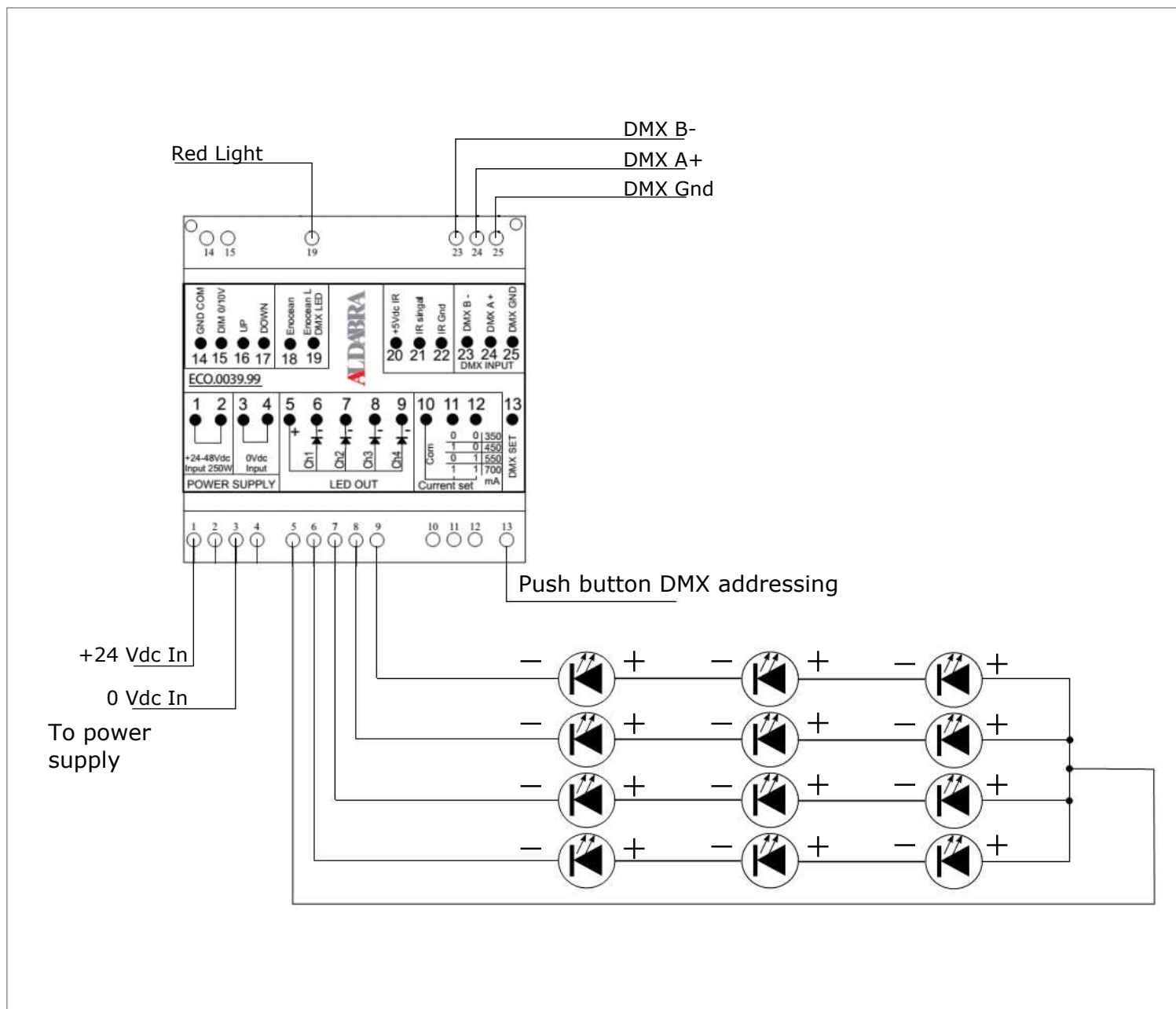
TECHNICALS FEATURES:

power supply	24 Vdc
max output current	4 channels 500 mA each channel
max output power	42 W (max 7 LED each channel)
control input	DMX standard USITT512 (RDM 2.0 compatible) self learning, addressing mode
dimming range	0%-100%
working temperature	-10 ÷ 54 °C
max case temperature	65 °C
expected lifetime (at Tc<=75°C)	>100000h
protection class	IP20
max connecting wire cross section	1,5 mm ²
installation	DIN bar mounting
dimensions (LxWxH)	90x72x62 mm
weight	120g



ECG.0008.0

DATA-SHEET



OPERATING MODE:

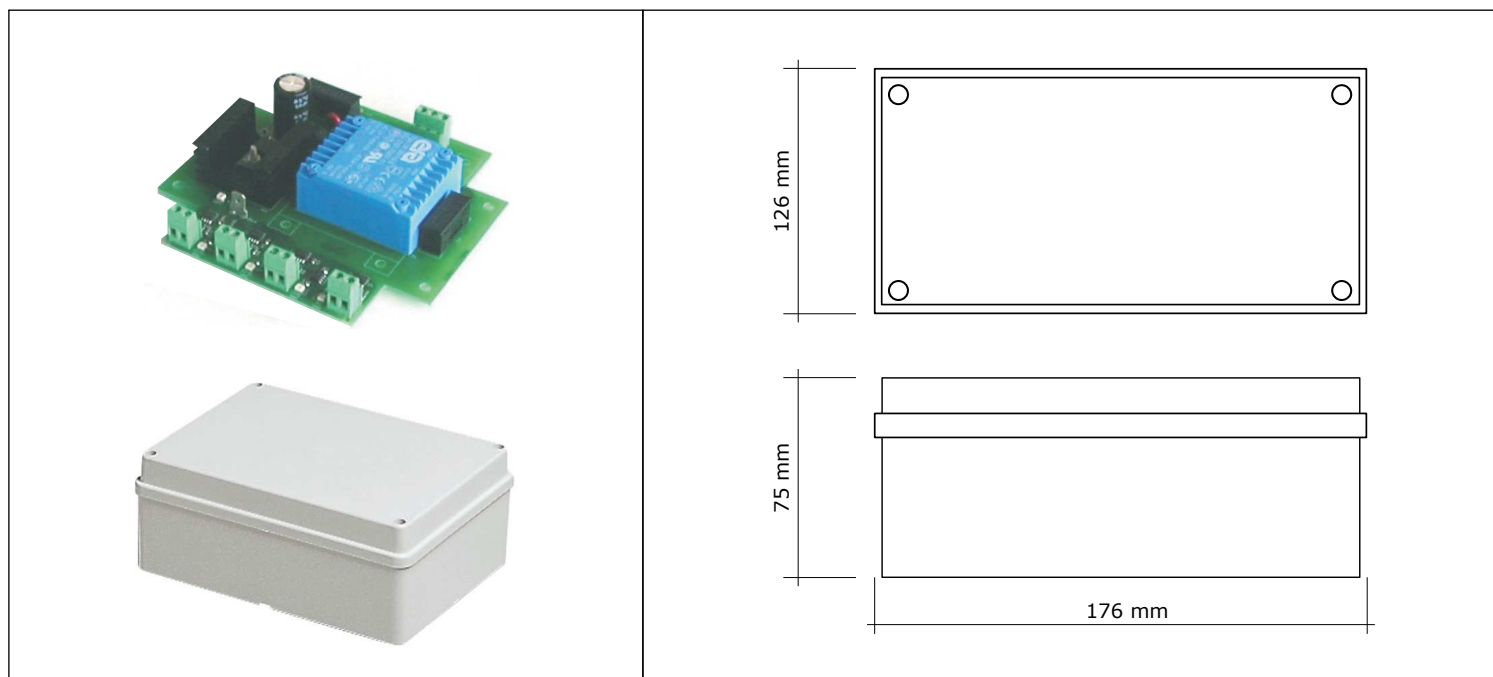
To set DMX address connect the DMX generator to wire A and B, red light in position 19 will blink correctly if DMX is connected.

Set DMX generator to the max value on the desired channel,(for example channel 6=255) then push and hold DMX set button on the box in connector position 13.

The red LED on board stay on 3 second then blink to indicate the setting is complete.

Be careful that the A and B wires are properly connected.

ECG.0010.0
DATA-SHEET



PRODUCT DESCRIPTION:

DMX bus signal repeater.

This device has one input and three outputs.

In this way 3 times 32 DMX interfaces can be used without decreasing the DMX signal.

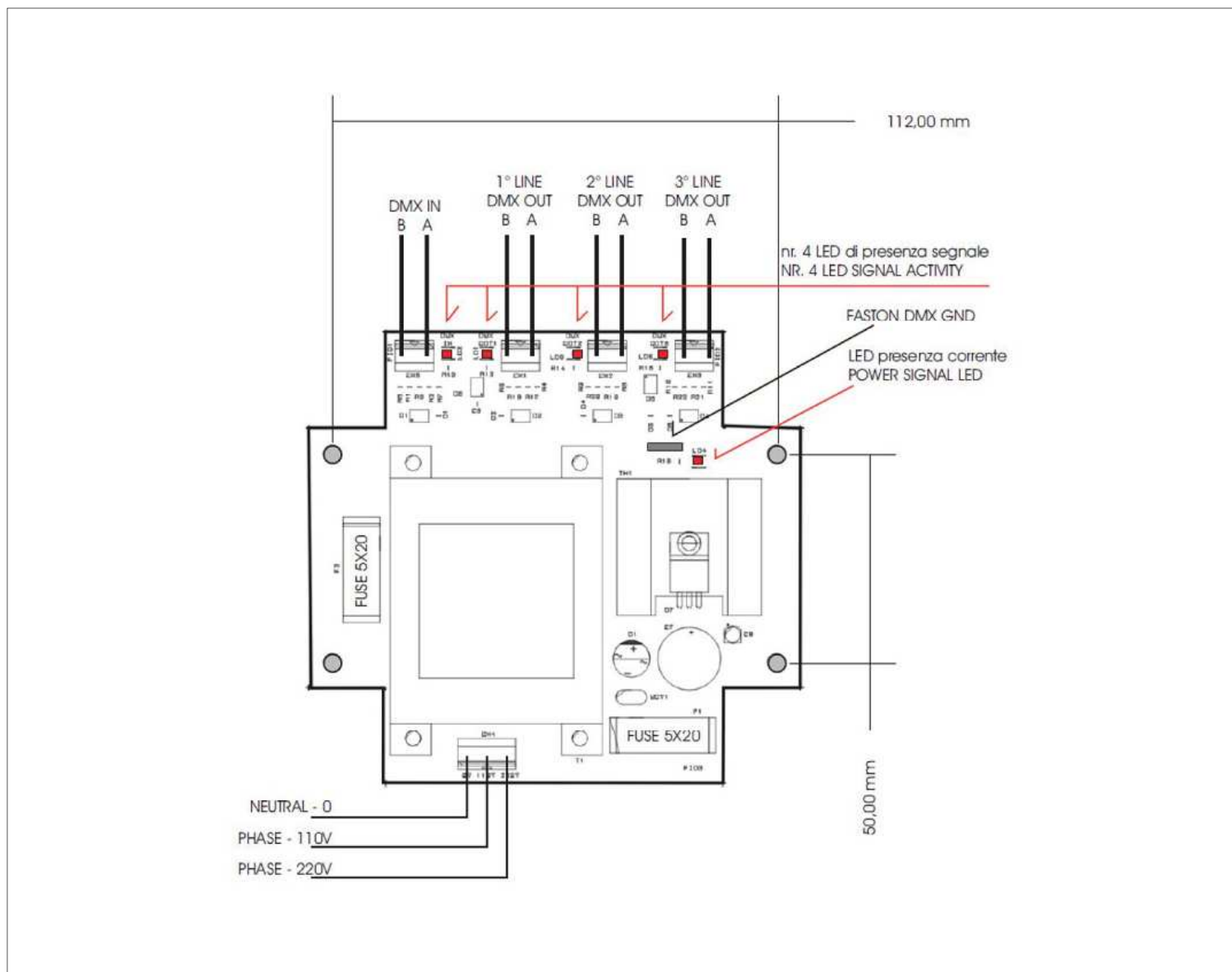
The repeater also needs to be used when the DMX bus is exceeding 250 m.

TECHNICALS FEATURES:

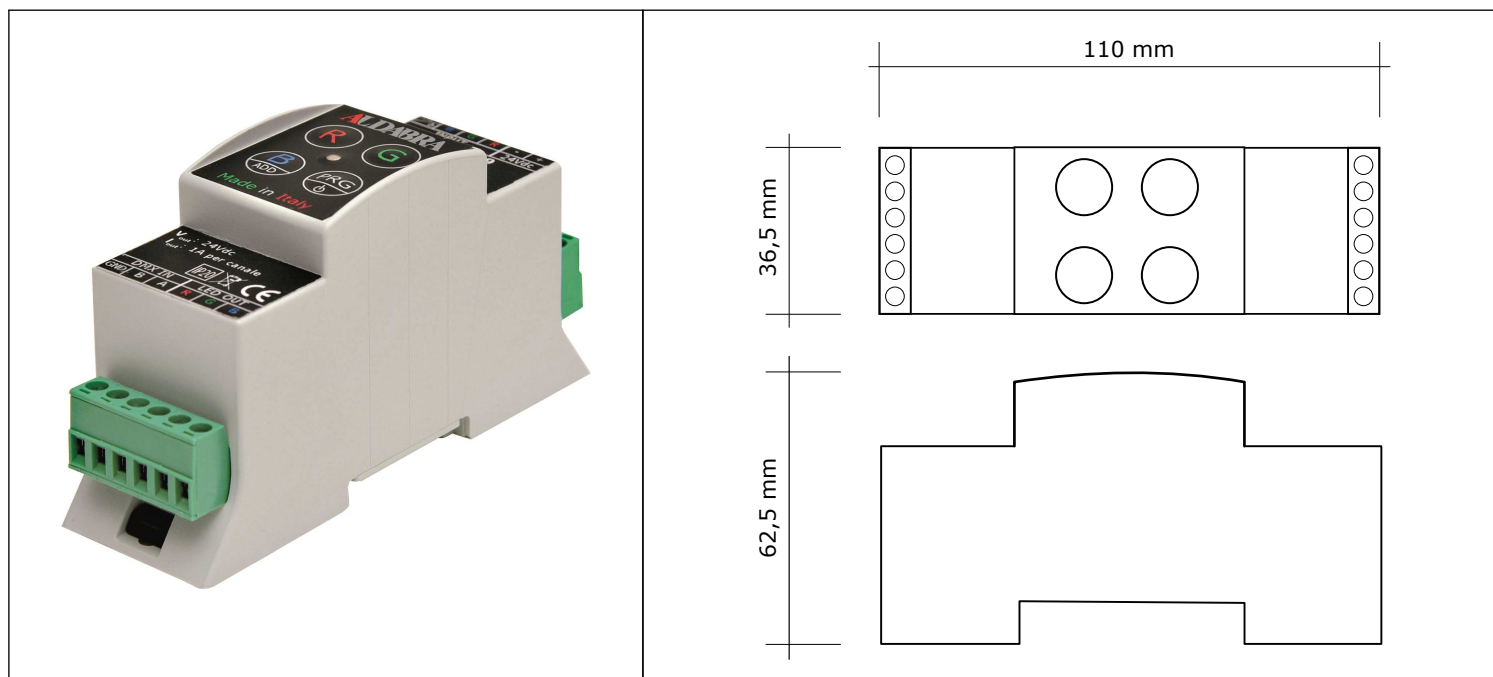
supply voltage	110/220 Vac 50/60 Hz
number input	1 x DMX 512
number output	3 x DMX 512
DMX LED signal	n° 4
Power supply LED signal	n° 1
Faston for DMX ground	n° 1
ambient temperature	-25 ÷ 50 °C
max case temperature	75 °C
expected lifetime (at Tc<=75°C)	>100000h
protection class	IP20
max connecting wire cross section	1,5 mm ²
dimensions (LxWxH)	176x126x75 mm
weight	50g + 150g (box IP67)



ECG.0010.0
DATA-SHEET



ECG.0011.0
DATA-SHEET



PRODUCT DESCRIPTION:

Dimmer for linear system, spot and downlights family RGB system.
This device is suitable for 24 Vdc power supply fixtures.

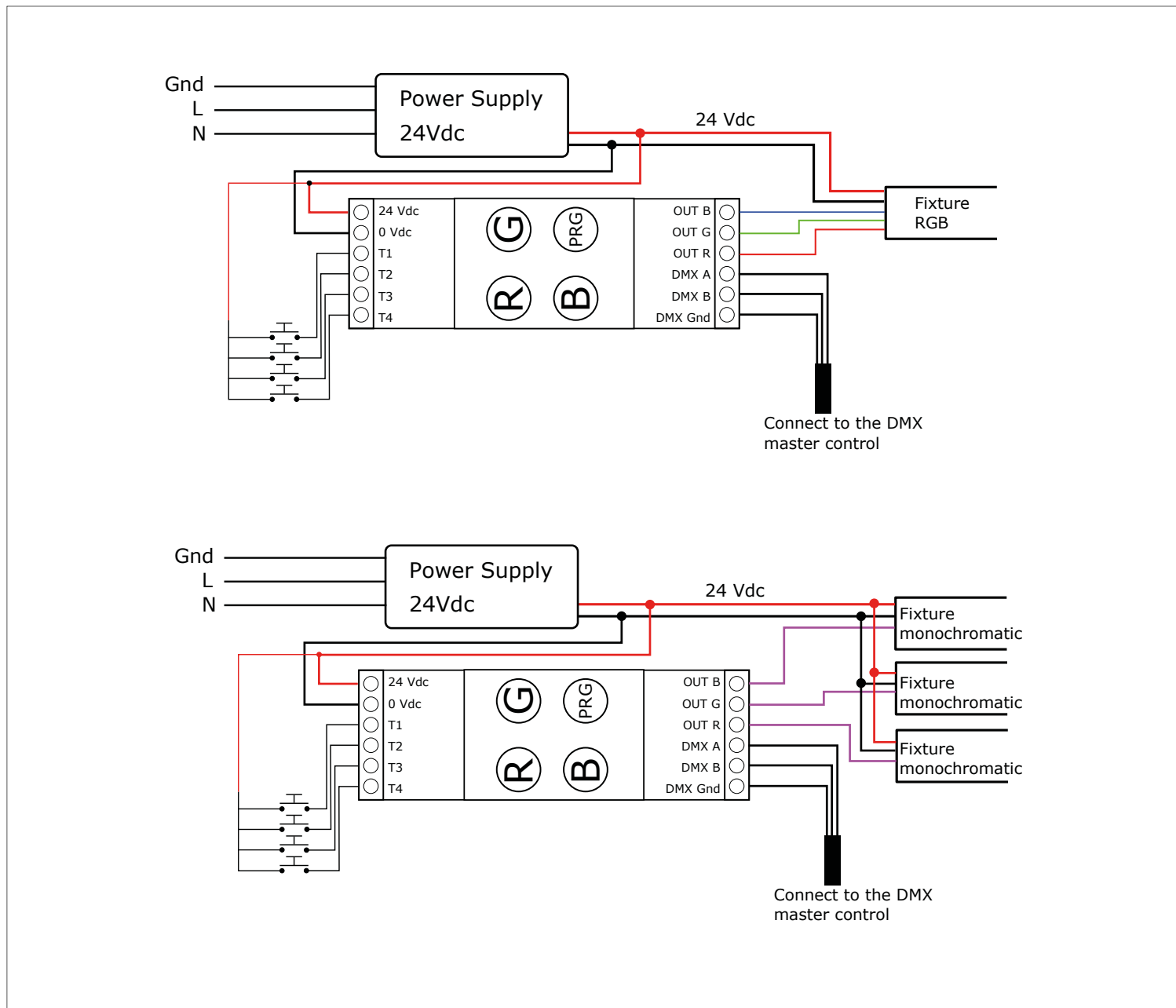
TECHNICALS FEATURES:

supply voltage	24 Vdc
max output current	1 A x 3 channels (max 3 A)
max output power	72 W
control input	DMX
dimming range	2%-100%
ambient temperature	-20 ÷ 40 °C
expected lifetime (at Tc<=75°C)	>100000h
protection class	IP20
max connecting wire cross section	1,5 mm ²
dimensions (LxWxH)	110x36,5x62,5 mm
weight	100g



ECG.0011.0

DATA-SHEET



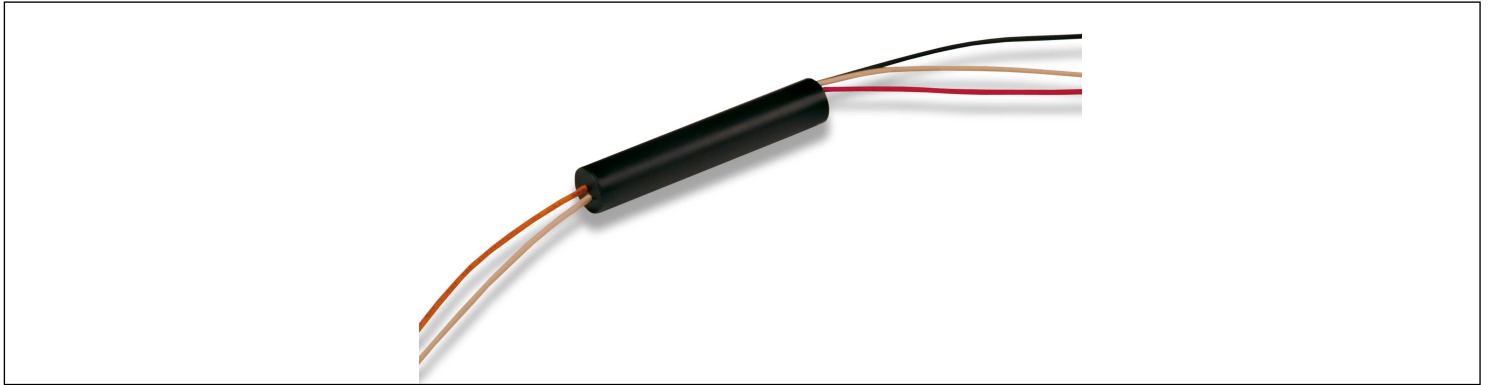
OPERATING MODE:

This device is suitable for colour mixing of RGB power and signal LED. Already programmed with some colour change sequences, can be controlled remotely. The on board keys or the remote connections can be operated as needed. The push buttons are not supplied.

The four keys perform:

- R, G, B press:** switch ON and OFF the relative colour LED
- R, G, B press and hold:** fade light output of the selected colour from max to min or from min to max
- PRG press:** switch to the 3 integrated colour change sequences
- PRG press and hold:** switch ON and OFF the system and store setup
- B press and hold:** if the DMX signal is receive, it takes precedence on the keys that become mute. Hold this key for 3 sec. to setup DMX address.

ECG.0012.0
DATA-SHEET

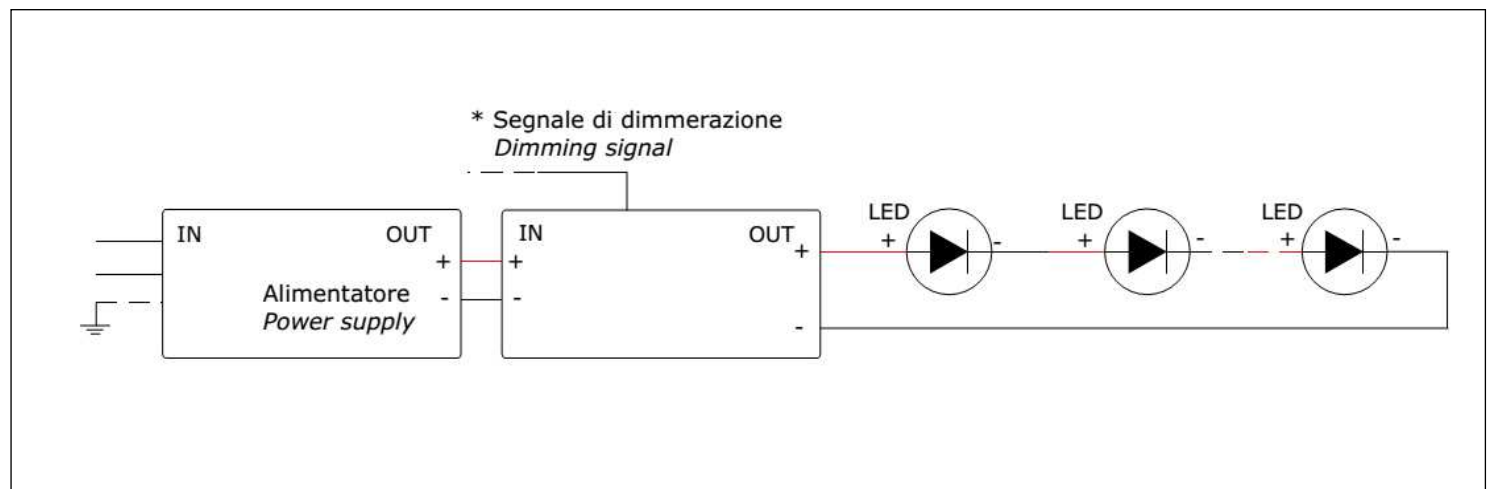


CURRENT CONTROLLER 350 mA

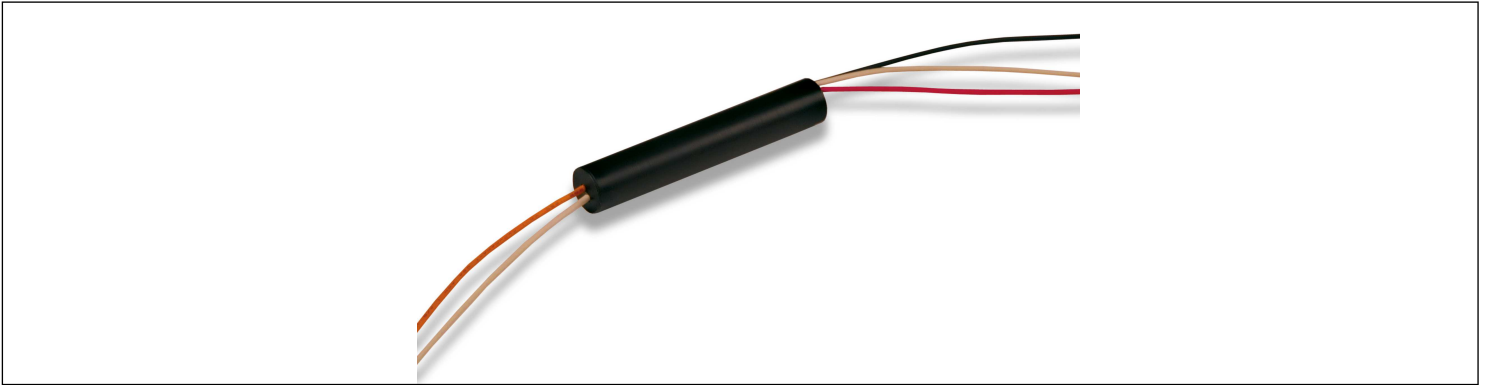
Rated Voltage	24 Vdc
I out	350 mA constant current
N° min - max LED	Min 1 - Max 5 Power LED dimmable ; Max 1 High Power LED dimmable
ta °C	-30 ÷ 50
Protection degree	IP65
weight	10 g
Dimensions	Ø 12 mm x 65 mm
Homologation	CE - SELV



WIRING DIAGRAM



ECG.0014.0 DATA-SHEET

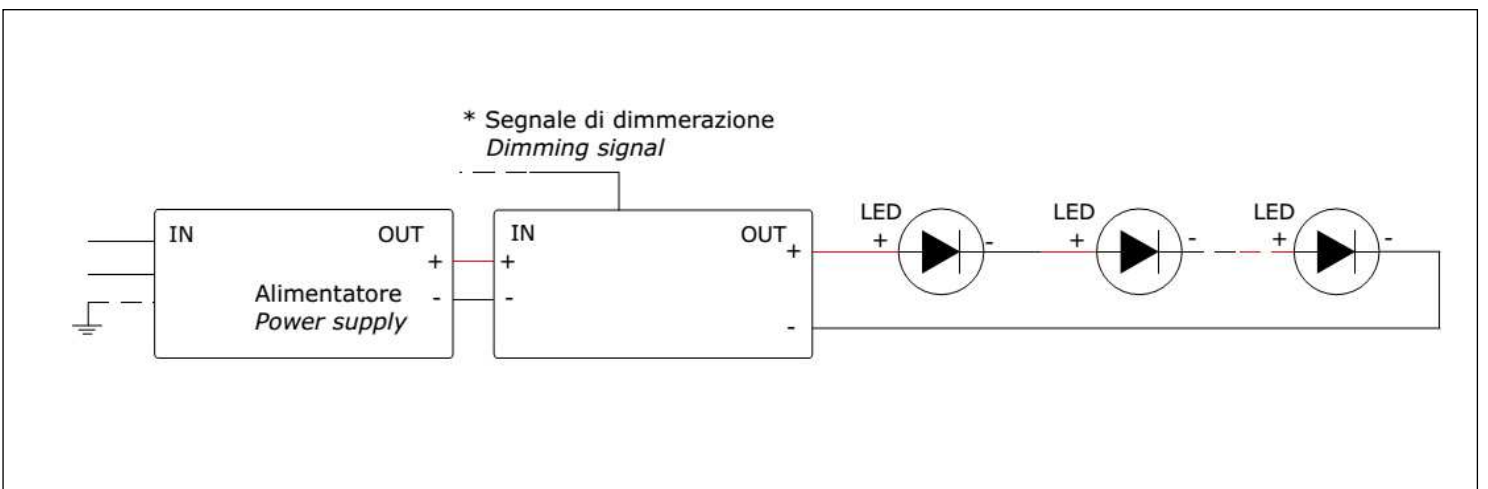


CURRENT CONTROLLER 500mA

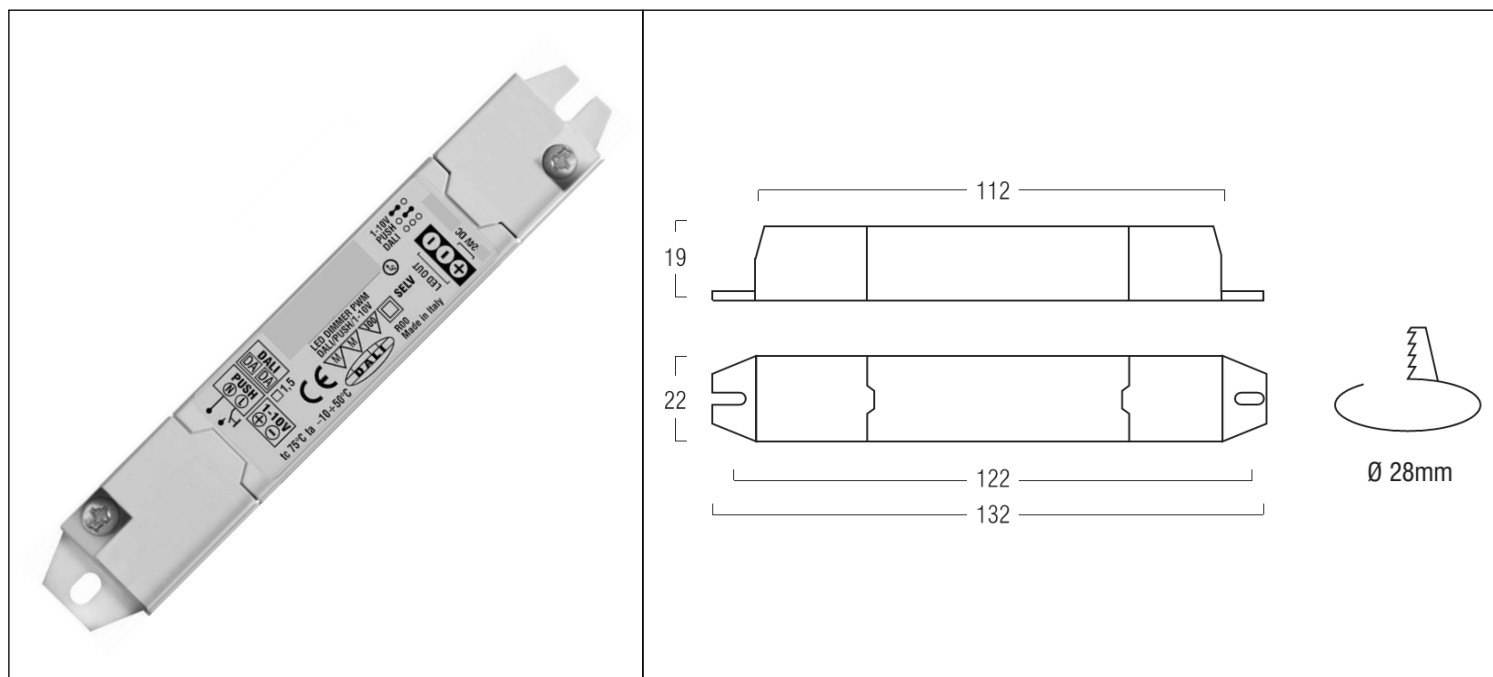
Rated Voltage	24 Vdc
I out	500 mA constant current
N° min - max LED	Min 1 - Max 5 Power LED dimmable ; Max 1 High Power LED dimmable
ta °C	-30 ÷ 50
Protection degree	IP65
weight	10 g
Dimensions	Ø 12 mm x 65 mm
Homologation	CE - SELV



WIRING DIAGRAM



ECG.0016.0
DATA-SHEET



PRODUCT DESCRIPTION:

1 channel DALI LED-Dimmer, suitable for constant voltage LED modules.
Low standby power consumption, high efficiency.

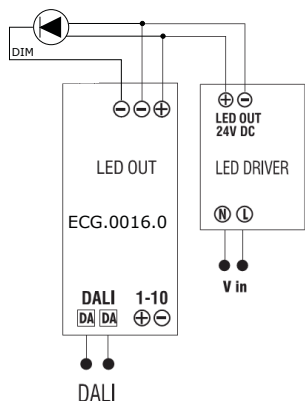
TECHNICALS FEATURES:

supply voltage	24 Vdc
max output current	2 A
max output power	48 W
control input	DALI
operating mode	DT6 (individual channel control via 1 DALI address)
current consumption DALI	2 mA
dimming range	2%-100%
ambient temperature	-25 ÷ 50 °C
max case temperature	75 °C
expected lifetime (at Tc<=75°C)	>100000h
protection class	IP20
max connecting wire cross section	1,5 mm ²
cable diameter	4 ÷ 6 mm
dimensions (LxWxH)	132x22x19 mm
weight	50g

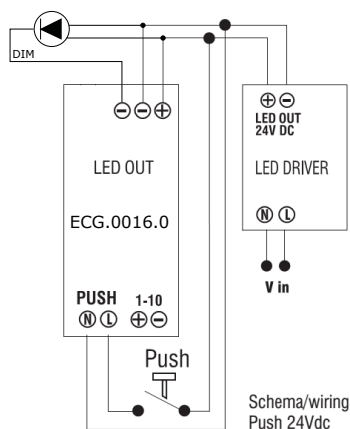


Wiring with three cables :

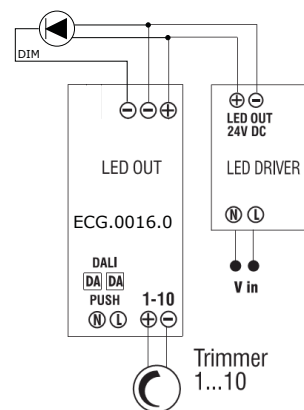
Schema di collegamento DALI
Wiring diagram DALI



Schema di collegamento Push
Wiring diagram Push

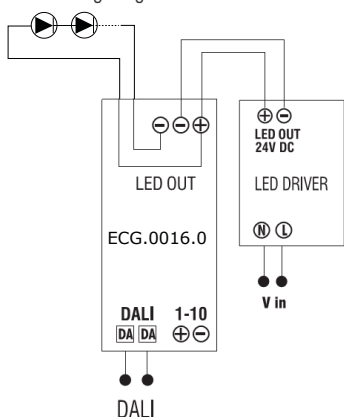


Schema di collegamento trimmer, 1/10V
Wiring diagram trimmer, 1/10V

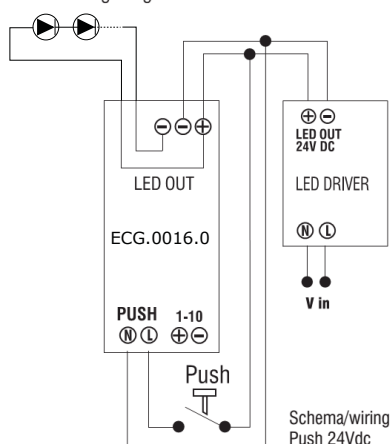


Wiring with two cables :

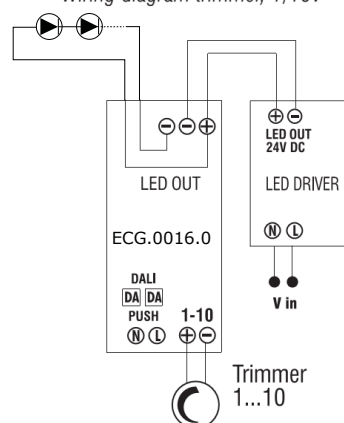
Schema di collegamento DALI
Wiring diagram DALI



Schema di collegamento Push
Wiring diagram Push



Schema di collegamento trimmer, 1/10V
Wiring diagram trimmer, 1/10V



OPERATING MODE:

The device has three distinct modes of operation selected via jumper (are alternative to each other):

1) DALI dimming 2) Push dimming 3) 1-10V dimming.

Restart after a power failure, resumption of the last set point.

Low level in Push is different from 0 to distinguish it from OFF.

-DALI: the device can be controlled by its own address (device type 6)

-Push-dimming: Short press the push button for ON/Off.

Long press the push button to increase light intensity (2-100%).

Regulation automatically stops at minimum and maximum values.

Memory of the last data dimming. At each ON the driver start from the last data set.

Method of resynchronisation (sometimes the system could be out of sync, i.e. some lamps will be on, thers off, etc.).

In Off/On position press the push key for a long time (30 sec.), the driver will be 100% and the system will now be resynchronised.

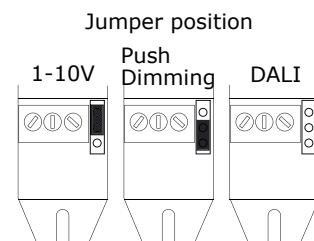
Total lenght of push cables: 15m

- 1-10V: You can use commercial dimmer 1-10V.

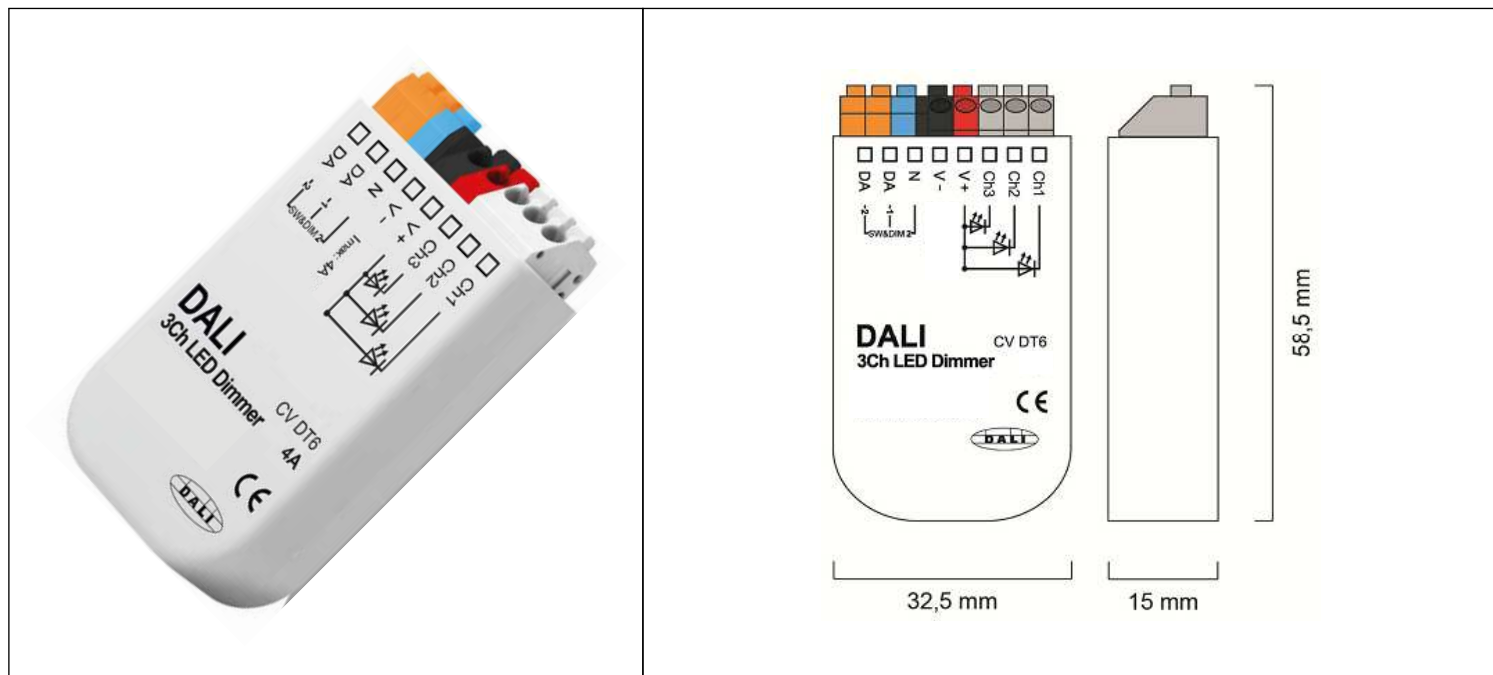
The LED brightness varies proportionally to the signal sent to the terminal from 2 to 100%.

You can use 100K potentiometers. The variation in the brightness of the LED is in proportional or logarithmic depending on the model used potentiometer (recommended logarithmic).

DALI & Push-dimming restart after a power failure at the last data set.



ECG.0028.0
DATA-SHEET



PRODUCT DESCRIPTION:

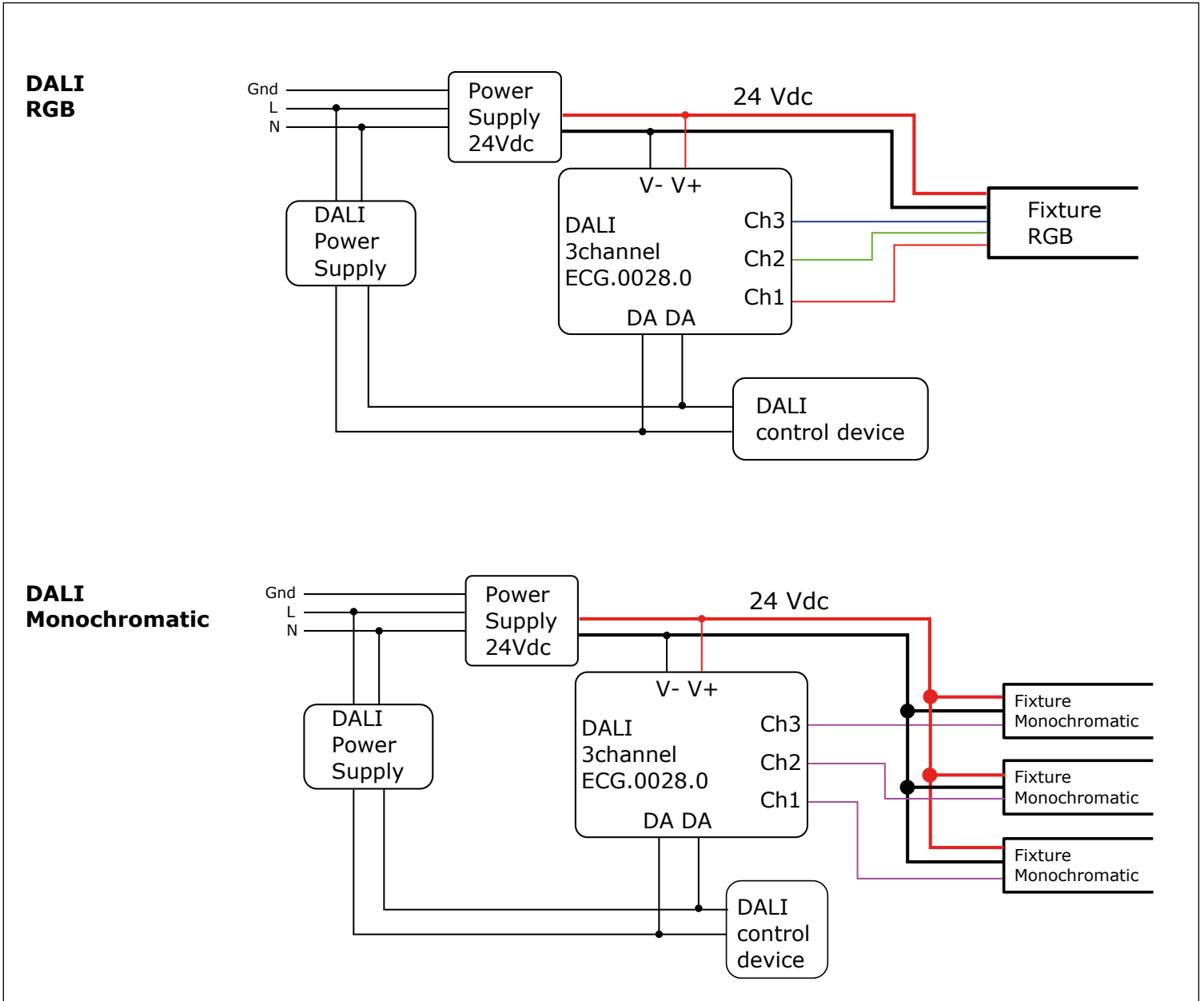
3 channel DALI LED-Dimmer, suitable for constant voltage LED modules.
Low standby power consumption, high efficiency.

TECHNICALS FEATURES:

supply voltage	24 Vdc
max output current	1 A x 3 channels (max 3A)
max output power	72 W
control input	DALI
operating mode	DT6 (individual channel control via 3 DALI addresses)
current consumption DALI	2 mA
dimming range	0,1%-100%
ambient temperature	-20 ÷ 60 °C
expected lifetime (at Tc<=75°C)	>100000h
protection class	IP20
max connecting wire cross section	1,5 mm ²
dimensions (LxWxH)	59x33x15 mm
weight	16g



ECG.0028.0
DATA-SHEET



OPERATING MODE:

DT6 (factory default)

In this operating mode each channel can be controlled by its own DALI address (Device type 6).

